

# DOOR ALERT ANNUNCIATOR



## CLOSED LOOP

- ◆ Sounds Instantly When Door Opens
- ◆ Choice Of 2, 4 or 6 Second Sounding Time
- ◆ Choice Of Three Volume Settings
- ◆ Remote Sounders Available
- ◆ Monitors One Or More Openings
- ◆ Surface Mount Or Recessed
- ◆ SPDT Relay Output
- ◆ Standard Color Is White
- ◆ Battery Power and/or External Power



DA-1  
Recessed

THE GRI Door Alert Annunciator is designed to signal customer entry into a business establishment. A closed loop magnetic reed switch activates the Door Alert. It can be set by the installer for a two, four or six second sounding time. Offered in a recessed version (easily mounted in a single gang box) or as a surface mount version. Both units can be powered by an external 12 volt DC power source or 9 volt battery.

NOTE: Unit will function at minimum 7VDC at a very limited sounder volume. This power level is considered total battery failure.

CAUTION: To prevent a memory failure or circuit damage, external power source **must not exceed 15 VDC**.

PART NUMBERS	DESCRIPTION
DA-1	Recessed Door Alert Annunciator - Closed Loop
DA-2	Surface Mount Door Alert Annunciator - Closed Loop
184-2	Recessed Remote Sounder
184-7	Surface Mount Remote Sounder

GEORGE RISK INDUSTRIES, INC.  
G.R.I. PLAZA  
KIMBALL, NE 69145

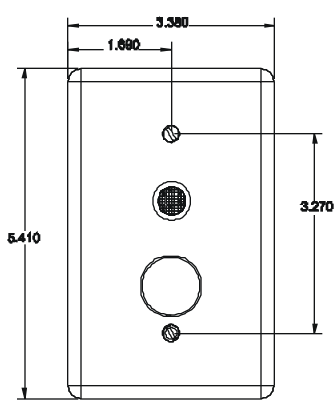


MADE IN U.S.A.

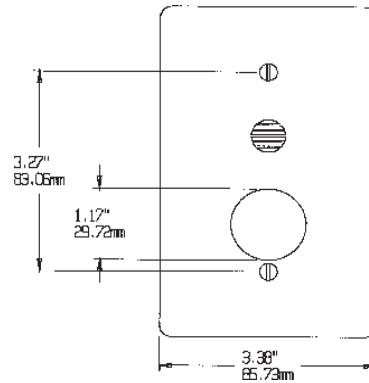
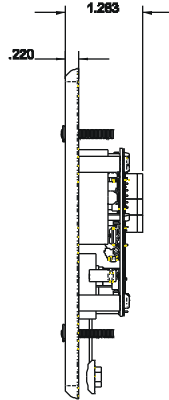
TOLL-FREE 1-800-445-5218  
TOLL-FREE 1-800-523-1227  
(308) 235-4645  
FAX (308) 235-3561  
E-MAIL: [grisales@megavision.com](mailto:grisales@megavision.com)  
WEB SITE: [www.grisk.com](http://www.grisk.com)



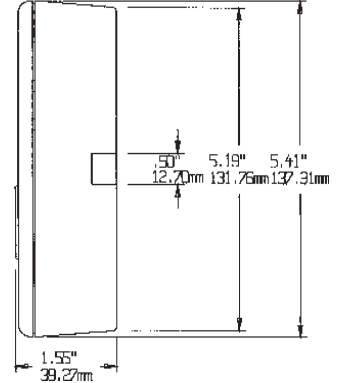
# DOOR ALERT ANNUNCIATOR



DA-1



DA-2



## INSTALLATION INSTRUCTIONS:

THE GRI Door Alert Annunciator monitors an entry by sounding instantly when the door is opened. It will sound for two, four or six seconds (jumper selectable) and can be wired to a 12 volt external power source or a 9 volt battery. Remote sounders can be added to cover isolated areas such as a stock room. If two doors are present, such as a regular door and a screen door, it is suggested that the switch be placed on the outermost door to allow the regular door to remain open for ventilation when desired. Using this method, the GRI Door Alert Annunciator will continue to monitor the entry way.

When two or more separate doors are to be monitored by installing individual switch sets on each door, the GRI Door Alert Annunciator will detect each door opening. CLOSED LOOP switches are required when installing the DA-1 or DA-2 GRI Door Alert Annunciator. Contact your GRI Distributor for the necessary switches or call the factory for more information.

The recessed version of the GRI Door Alert Annunciator is designed to fit into a single gang outlet box. The surface mount version can be easily mounted on an existing structure.

For custom options, please consult the factory.

## WARRANTY:

One year warranty against workmanship, material and factory defects.

GEORGE RISK INDUSTRIES, INC.  
G.R.I. PLAZA  
KIMBALL, NE 69145



MADE IN U.S.A.

BA-144 Rev. E 8/12/2010

TOLL-FREE 1-800-445-5218  
TOLL-FREE 1-800-523-1227  
(308) 235-4645  
FAX (308) 235-3561  
E-MAIL: [grisales@megavision.com](mailto:grisales@megavision.com)  
WEB SITE: [www.grisk.com](http://www.grisk.com)