

RB Series Roller Ball Switch

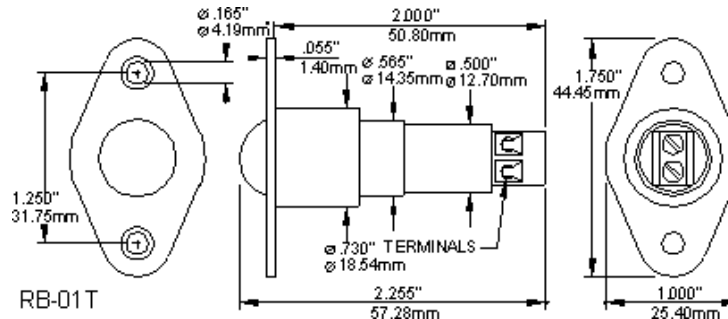


RB-01
Roller Ball Switch

- Lifetime Warranty
- Colors: White and Brown
- UL and ULC Approved
- Available in Closed Loop, Open Loop and SPDT
- Works from all 360 Degree Directions
- Standard 12" Leads or Terminal Blocks
- Longer Leads, Zip Cord or Jacketed Cable Available
- Supervisory Loops Available
- Includes Mounting Hardware and Spacers
- Terminals Require no Soldering, B Connectors, or Taping
- Pre-travel .06"
- Total Travel .195"

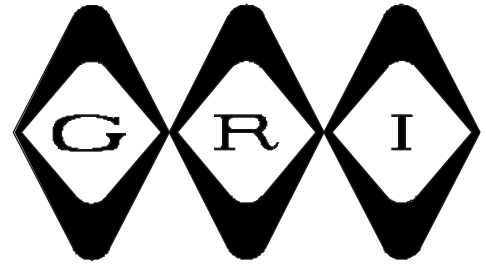
GRI's Roller Ball Switch is a unique application of a magnetic reed combined into a single package, mechanical plunger action and the reliability of a hermetically sealed switch.

The ball plunger can be activated from any direction within 360 degrees, using a sliding motion such as that produced by the opening or closing of a door or window into its frame. But they also have been used very effectively as an interior trap device by mounting on a flat surface, such as a display table, and placing the protected object directly on the switch to conceal and actuate the roller ball. GRI Roller Ball Switches can work when nothing else will. Spacers and mounting hardware included with switch and also available separately.



RB-01T
Roller Ball Switch

ROLLER BALL - PLUNGER CONTACT



RB SERIES

- ◆ Works From All 360 Degree Directions
 - ◆ Screw Down Flange
 - ◆ 12" #22AWG Leads
- ◆ Longer Leads, Zip Cord or Jacketed Cable Upon Request
- ◆ Hermetically Sealed ◆ Plated Contacts Resist Sticking or Freezing
 - ◆ Spacers and Mounting Hardware Included
- ◆ Built-in E.O.L. Resistors and Diodes Upon Request
 - ◆ Supervisory Loops Available Upon Request
 - ◆ Switches and Spacers Available Separately
- ◆ Colors: White, Brown ◆ Lifetime Warranty
 - ◆ For Terminal Version Refer to DS-01T



RB-01

PART NUMBERS:

Closed Loop

RB-01

Open Loop

RB-02

SPDT

RB-03

Travel:	Total	.200
	Pre Travel	.080 ± .030

GEORGE RISK INDUSTRIES, INC.
GRI PLAZA
KIMBALL, NE 69145



TOLL-FREE 1-800-445-5218
TOLL-FREE 1-800-523-1227
(308) 235-4645

FAX (308) 235-3561
E-MAIL: grisales@megavision.com
WEB SITE: www.grisk.com



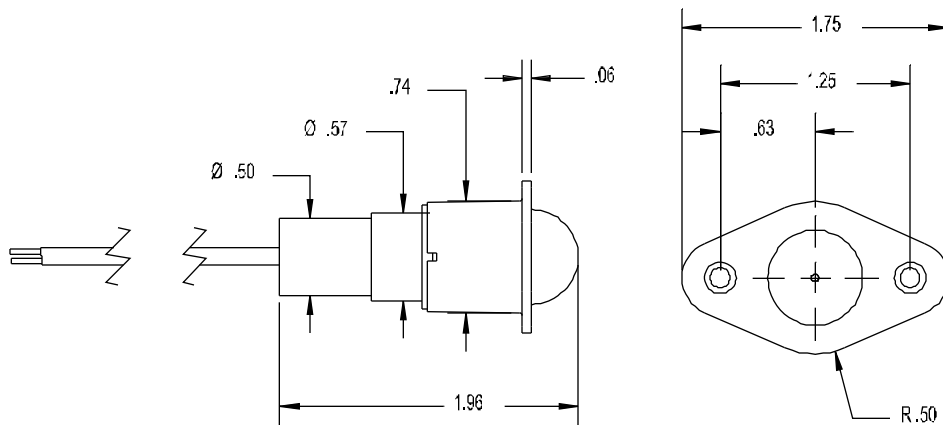
ROLLER BALL - PLUNGER CONTACT

INSTALLATION APPLICATIONS:

G.R.I.'s Roller Ball switch is a unique application of the magnetic reed, combining into a single package mechanical plunger action and the reliability of a hermetically sealed switch.

The ball plunger can be activated from any direction within 360 degrees, using a sliding motion such as that produced by the opening or closing of a door or window into its frame. But they also have been used very effectively as an interior trap device by mounting on a flat surface, such as a display table, and placing the protected object directly on the switch to conceal and actuate the roller ball. G.R.I. Roller Ball switches can work when nothing else will. Spacers and mounting hardware included with switch and also available separately. Not Recommended for the bottom track of doors or windows.

* Fits 3/4" Hole



RB-01

GRI products meet or exceed these minimum general specifications:

PART NUMBER	LOOP TYPE	ELECTRICAL CONFIG.	REED FORM	MAXIMUM INITIAL CONTACT RESISTANCE (Ω)	MAXIMUM CONTACT RATING (W)	MAXIMUM SWITCHING VOLTAGE (VDC)	MAXIMUM SWITCHING CURRENT (A)
RB-01	Closed	N/O	A	.150	10	200	.500
RB-02	Open	N/C	A	.150	10	200	.400VDC
RB-03	Open/Closed	SPDT	C	.140	5	175VDC	.250

WARRANTY:

Lifetime warranty against workmanship, material and factory defects.

CONTACT YOUR G.R.I. DISTRIBUTOR OR CALL:

GEORGE RISK INDUSTRIES, INC.
G.R.I. PLAZA
KIMBALL, NE 69145



MADE IN U.S.A.

TOLL-FREE 1-800-445-5218
TOLL-FREE 1-800-523-1227
(308) 235-4645
FAX (308) 235-3561

E-MAIL: grisales@megavision.com
WEB SITE: www.grisk.com