

TILT SENSOR

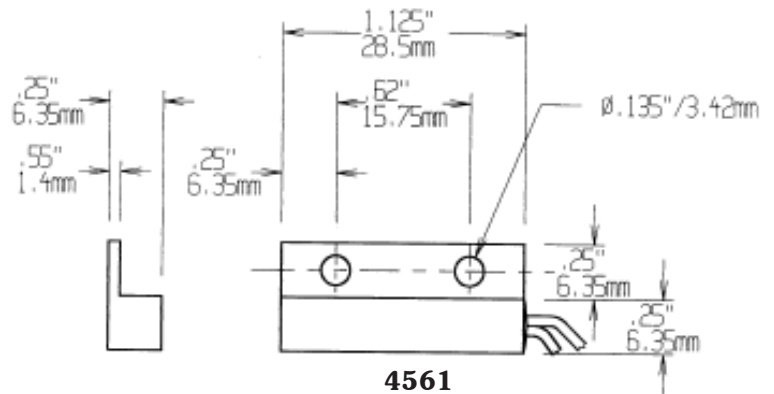


4561

- ◆ Attractive Miniature Profile
- ◆ Senses Movement Or Removal of Museum Pieces, Paintings, Valuable Art Objects
- ◆ Senses Tampering or Movement Of Equipment Covers
 - ◆ Signals An Alarm If Equipment is Moved



4561



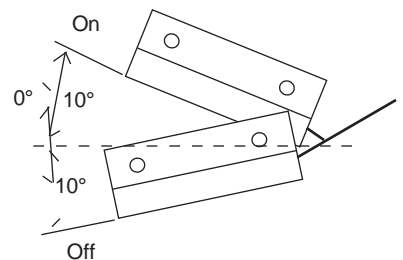
4561

The GRI Tilt Switch fits a variety of applications where accurate detection of tampering is critical. The GRI 4561 was designed for use in a closed or open loop zone. The switch is incredibly durable and is hermetically sealed. Operation is based on the tilting of the sensor more than 10°. Using the wires as a reference point, tilt the switch toward the wires and the circuit is closed. Tilting away from the wires opens the circuit. The GRI 4561 Tilt Switch is very precise and accurately assures long reliable service in adverse environments.

Additional Applications: May be used on computer equipment as well as televisions or other valuables in hotels or apartments. Use as a tamper switch on hood convenience lights or as a hatch open indicator. The GRI 4561 Tilt Switch can be used in any situation where the movement or removal of objects must be monitored. The GRI 4561 can be mounted with either screws or adhesive.

SPECIFICATIONS:

	AC Rating	DC Rating
Ratings:	.5 Amps at 30 Volts AC	.5 Amps at 30 Volts DC
	.25 Amps at 120 Volts AC	.2 Amps at 120 Volts DC
	.2 Amps at 240 Volts AC	.1 Amps at 240 Volts DC
Maximum Differential Angle:	10 Degrees	



Not for sale in California.

WARRANTY:

One year warranty against workmanship, material and factory defects

GEORGE RISK INDUSTRIES, INC.
G.R.I. PLAZA
KIMBALL, NE 69145



TOLL-FREE 1-800-445-5218
TOLL-FREE 1-800-523-1227
(308) 235-4645
FAX (308) 235-3561
E-MAIL: grisales@megavision.com
WEB SITE: www.grisk.com