

GLASS GUARD



GB-551

On The Glass Shock Sensor

- ◆ Low Profile
- ◆ Mounts Directly On Glass
 - ◆ Hermetically Sealed
 - ◆ Latching
- ◆ Security Panel Operations Only
 - ◆ Reverse Polarity Protected
 - ◆ Extreme UV Resistant Tape



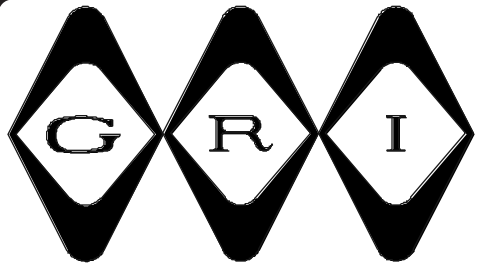
GB-551

When glass breaks and/or shatters, shock waves are sent in a multitude of directions. The GRI glass break sensor is designed to detect those shock waves. The sensor is sensitive to shock waves from the glass it is attached to while ignoring the rumbling of vehicle traffic, noisy airplanes or nearby train crossings. The GB-551 covers both small and large windows, both narrow and wide. This device will detect shock waves of shattering glass on a radius measuring approximately 10' from the GB-551. Power for the device comes from the alarm panel zone power. The glass break sensor will latch on alarm and is reset by interrupting power momentarily. The petite size and elegance of the device makes it simple to install with double faced 3M UV resistant tape.

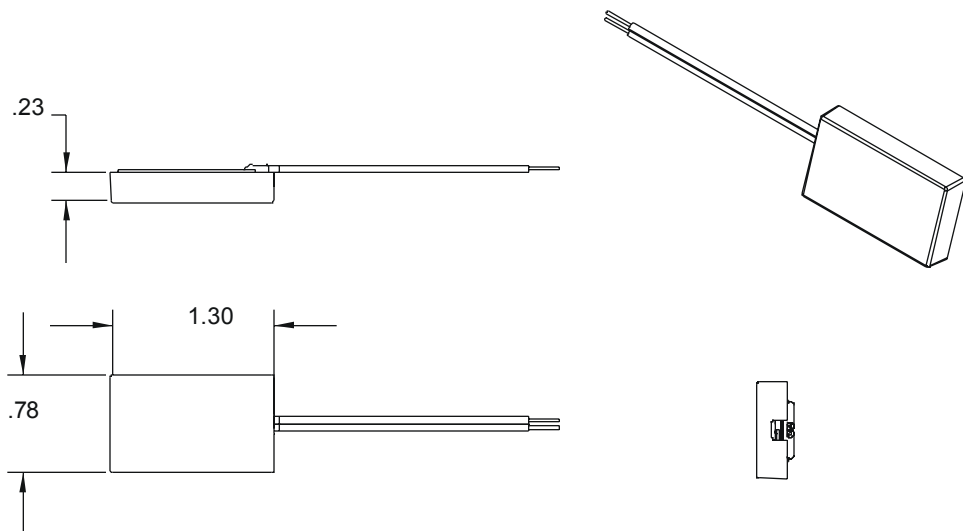
GEORGE RISK INDUSTRIES, INC.
G.R.I. PLAZA
KIMBALL, NE 69145



TOLL-FREE 1-800-445-5218
TOLL-FREE 1-800-523-1227
(308) 235-4645
FAX (308) 235-3561
E-MAIL: grisales@megavision.com
WEB SITE: www.grisk.com



GLASS GUARD



Instructions for Installation of Glass Guard:

Mounting the Glass Guard near a corner of the window, preferably 1 1/2" to 2" from the corner. The Glass Guard will monitor a window that is 10' diagonally measured.

The Glass Guard is powered from the alarm system control panel. The Glass Guard has two wires, one is gold colored and the other is silver colored. **IMPORTANT:** Attach the gold colored wire to the positive side of the zone from the control panel. Attach the silver colored wire to the negative side of the zone from the control panel.

Tape application: To apply the tape to glass make sure the surface of the glass is thoroughly cleaned with denatured alcohol or a similar IPA/water mixture. Wipe the glass surface, let it dry completely and then apply the tape/Glass Guard to the cleaned glass. **WARNING!!!** This is a powerful adhesive tape. Be very careful where you stick the tape. There won't be a second chance.

GB-551 GLASS GUARD ELECTRICAL SPECIFICATIONS

Voltage:	3 - 24 Volts DC
Switching Current:	14mA
On Resistance:	47 Ohm
Off Resistance:	1 Megaohm
Power Consumption:	On - 2 Milliwatts Max at 24 VDC Off - 0 Milliwatts Minimum

Gold Wire Positive/Silver Wire Negative. Reverse Polarity Protected

Intended for Security Panel Operations ONLY!

WARRANTY:

One year warranty against workmanship, material and factory defects

GEORGE RISK INDUSTRIES, INC.
G.R.I. PLAZA
KIMBALL, NE 69145



MADE IN U.S.A.

BA-211 Rev B 1/06/05

TOLL-FREE 1-800-445-5218
TOLL-FREE 1-800-523-1227
(308) 235-4645
FAX (308) 235-3561
E-MAIL: grisales@megavision.com
WEB SITE: www.grisk.com