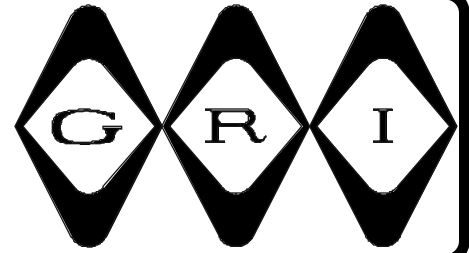


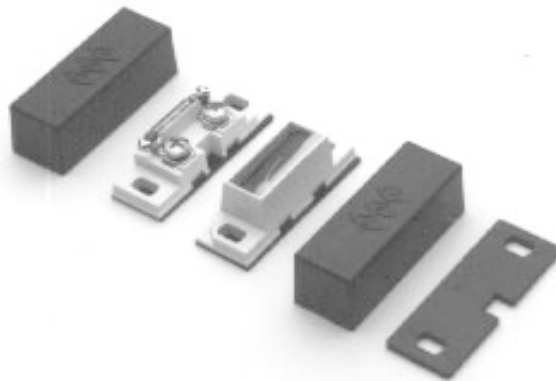
MINIATURE SURFACE MOUNT SWITCH SET



129 SERIES



- ◆ Perfect For Residential and Light Commercial Applications
 - ◆ Small Size is 1/2" x 1/2" x 1 1/2"
 - ◆ Tamper Proof
 - ◆ Surface Mount Magnetic Contact
 - ◆ Screw Terminals
 - ◆ Hermetically Sealed
 - ◆ Plated Contacts Resist Sticking or Freezing
- ◆ Covers, Spacers and Mounting Hardware Included
 - ◆ Switches and Magnets Available Separately
 - ◆ Colors: White, Brown, Gray
 - ◆ Lifetime Warranty
 - ◆ Private Labeling Available

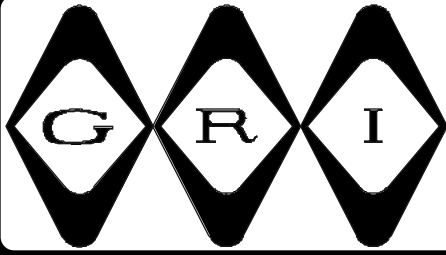


PART NUMBERS:	Closed Loop	Open Loop
Standard Gap 1/2" +	129A	129B
Wide Gap 1" +	129AWG	129BWG

GEORGE RISK INDUSTRIES, INC.
 G.R.I. PLAZA
 KIMBALL, NE 69145



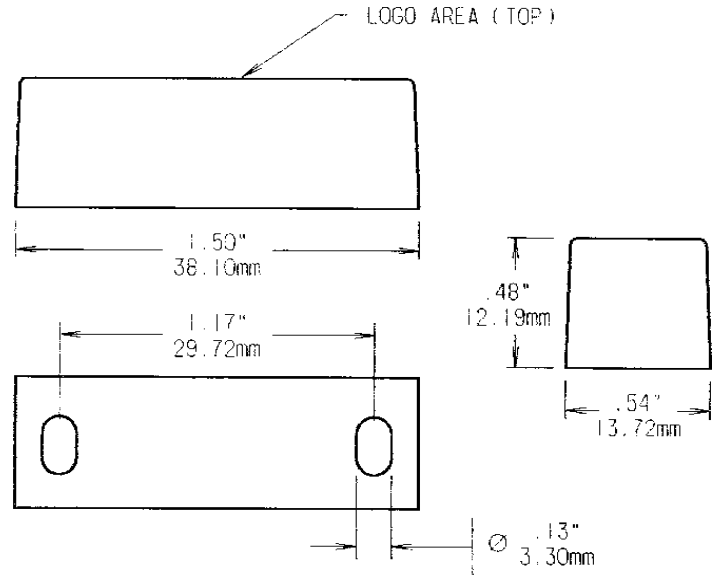
TOLL-FREE 1-800-445-5218
 TOLL-FREE 1-800-523-1227
 (308) 235-4645
 FAX (308) 235-3561
 E-MAIL: grisales@megavision.com
 WEB SITE: www.grisk.com



MINIATURE SURFACE MOUNT SWITCH SET

INSTALLATION APPLICATIONS:

The G.R.I. 129A style switch set is designed for those installations where a more aesthetic profile is required. The attractive snap-on cover makes the 129A perfect for residential and light commercial applications. The cover also comes with knockout points if the wiring requires surface mount, and the base is designed for taking the wire out directly into the wall if needed. Available in standard and wide gaps, White, Brown or Gray, the 129A set comes in closed and open loop with all mounting hardware included.



Switch and Magnet

GRI products meet or exceed these minimum general specifications:

PART NUMBER	LOOP TYPE	ELECTRICAL CONFIG.	REED FORM	MAXIMUM INITIAL CONTACT RESISTANCE (Ω)	MAXIMUM CONTACT RATING (W)	MAXIMUM SWITCHING VOLTAGE (VDC/VAC)	MAXIMUM SWITCHING CURRENT (A)
129A	CLOSED	N/O	A	.150	10	160/110	.400
129AWG	CLOSED	N/O	A	.150	10	160/110	.400
129B	OPEN	N/C	B	.140	5	175VDC	.250
129BWG	OPEN	N/C	B	.140	5	175VDC	.250

WARRANTY:

Lifetime warranty against workmanship, material and factory defects.

CONTACT YOUR G.R.I. DISTRIBUTOR OR CALL:

GEORGE RISK INDUSTRIES, INC.
GRI PLAZA
KIMBALL, NE 69145



MADE IN U.S.A.

TOLL-FREE 1-800-445-5218
TOLL-FREE 1-800-523-1227
(308) 235-4645
FAX (308) 235-3561

E-MAIL: grisales@megavision.com
WEB SITE: www.grisk.com