

# 1/2" Snap Fit Recessed Switch Set

WWW.GRISK.COM



## 150 Series

- ◆ Designed for hollow core doors and windows
  - ◆ Hole size allows for extra wire, etc.
  - ◆ Up to one inch standard gap
  - ◆ Installs firmly in wood, vinyl and aluminum
- ◆ Recessed magnetic contact
  - ◆ Press or snap to fit
  - ◆ 12" #22AWG leads or screw terminals
  - ◆ Hermetically sealed
- ◆ Longer leads, zip cord or jacketed cable upon request
  - ◆ Plated contacts resist sticking or freezing
- ◆ Built-in E.O.L. Resistors and Diodes upon request
  - ◆ Supervisory Loops available upon request
  - ◆ Switches and Magnets available separately
  - ◆ Colors: white and brown
  - ◆ Lifetime Warranty



150-12



150-T

	<u>Part Numbers</u>			
	<u>Closed Loop</u>	<u>Open Loop</u>	<u>SPDT</u>	<u>DPDT</u>
Standard Gap up to 1"	150-12	160-12	170-12	175-12
Standard Gap up to 1"	150-T			
Wide Gap up to 1 1/4"	150-12WG	160-12WG	170-12WG	
Wide Gap up to 1 1/4"	150-TWG			
Standard Gap 5/8"+	150MF-12	160MF-12	170MF-12	
Wide Gap 1"	150MF-12WG	160MF-12WG	170MF-12WG	

Larger than 3/8" but smaller than 3/4", GRI introduces their newest innovative switch design, the one-half inch diameter, flush mount 150-12. This new design is in response to customer requests for a switch that would give them additional "working room" for extra wire, E.O.L. resistors, etc., yet would more readily install in hollow core windows. The 150-12 is a 1/2" diameter contact, manufactured from a special polyvinyl material with a unique collar design that will press into wooden or vinyl clad windows with a "snap-in" fit for hollow core vinyl or aluminum windows.

The 150-12 is paired with a matching 1/2" magnet case to offer the installer a 1" gap. The 150 switch can also be paired with any of the wide selection of GRI magnets (including our MF-875) to help resolve difficult installation applications. Patent Pending.

**WARRANTY:** Lifetime warranty against workmanship, material and factory defects.

GEORGE RISK INDUSTRIES, INC.  
G.R.I. PLAZA  
KIMBALL, NE 69145

WWW.GRISK.COM

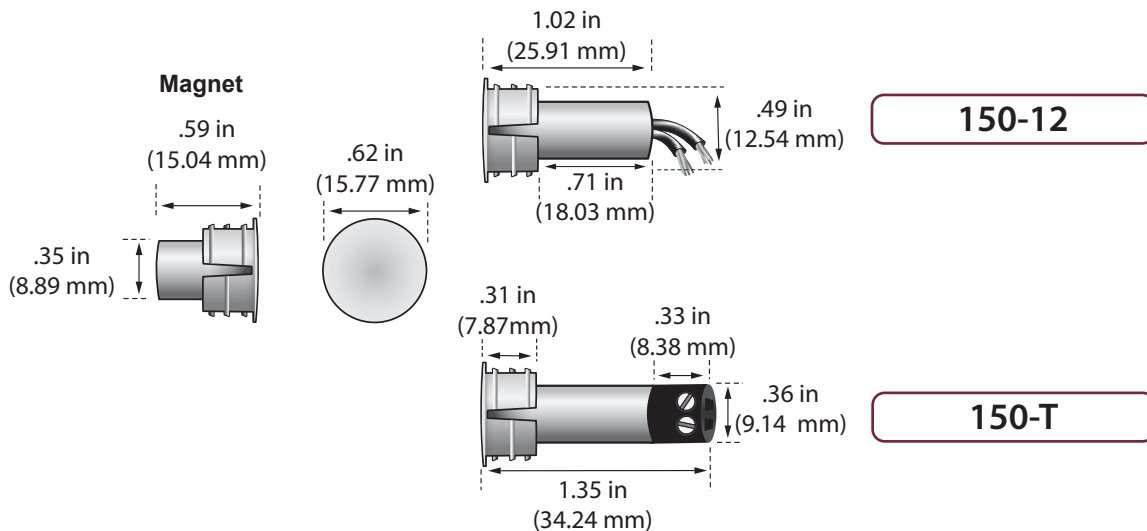


1-800-445-5218  
1-800-523-1227  
(308) 235-4645  
FAX (308) 235-3561  
E-MAIL: sales@grisk.com

# 1/2" Snap Fit Recessed Switch Set



WWW.GRISK.COM



**GRI PRODUCTS MEET OR EXCEED THESE MINIMUM GENERAL SPECIFICATIONS:**

Part Number	Loop Type	Electrical Configuration	Reed Form	Maximum Initial Contact Resistance (Ω)	Maximum Contact Rating (W)	Maximum Switching Voltage (VDC)	Maximum Switching Current (A)
150-12	Closed	N/O	A	.150	10	200	.500
150-T	Closed	N/O	A	.150	10	200	.500
150-12WG	Closed	N/O	A	.150	10	200	.400
150-TWG	Closed	N/O	A	.150	10	200	.400
150MF-12	Closed	N/O	A	.150	10	200	.500
150MF-12WG	Closed	N/O	A	.150	10	200	.400
160-12	Open	N/C	B	.140	5	175	.250
160-12WG	Open	N/C	B	.140	5	175	.250
160MF-12	Open	N/C	B	.140	5	175	.250
160MF-12WG	Open	N/C	B	.140	5	175	.250
170-12	Open/Closed	SPDT	C	.140	5	175	.250
170-12WG	Open/Closed	SPDT	C	.140	5	175	.250
170MF-12	Open/Closed	SPDT	C	.140	5	175	.250
170MF-12WG	Open/Closed	SPDT	C	.140	5	175	.250
175-12	Open/Closed	DPDT	Cx2	.140	5	175	.250

**WARRANTY:** Lifetime warranty against workmanship, material and factory defects.

GEORGE RISK INDUSTRIES, INC.  
G.R.I. PLAZA  
KIMBALL, NE 69145

WWW.GRISK.COM



1-800-445-5218  
1-800-523-1227  
(308) 235-4645  
FAX (308) 235-3561  
E-MAIL: sales@grisk.com