

Biased Aluminum Industrial Switch Set

WWW.GRISK.COM



4400AB / 4402AB

- ◆ 1/2" to 2" gap
- ◆ 36" armored cable
- ◆ Weather resistant rugged aluminum housing
 - ◆ Longer leads available upon request
 - ◆ Mounting hardware included
- ◆ Built-in EOL resistors and diodes upon request
 - ◆ Supervisory loops upon request
 - ◆ Lifetime Warranty



4400AB CE
and bracket

Part Numbers

	<u>Closed Loop</u>	<u>SPDT</u>
Standard Gap 1/2 - 2"	4400AB } C €	4402AB

WARRANTY: Lifetime warranty against workmanship, material and factory defects.

GEORGE RISK INDUSTRIES, INC.
G.R.I. PLAZA
KIMBALL, NE 69145

WWW.GRISK.COM

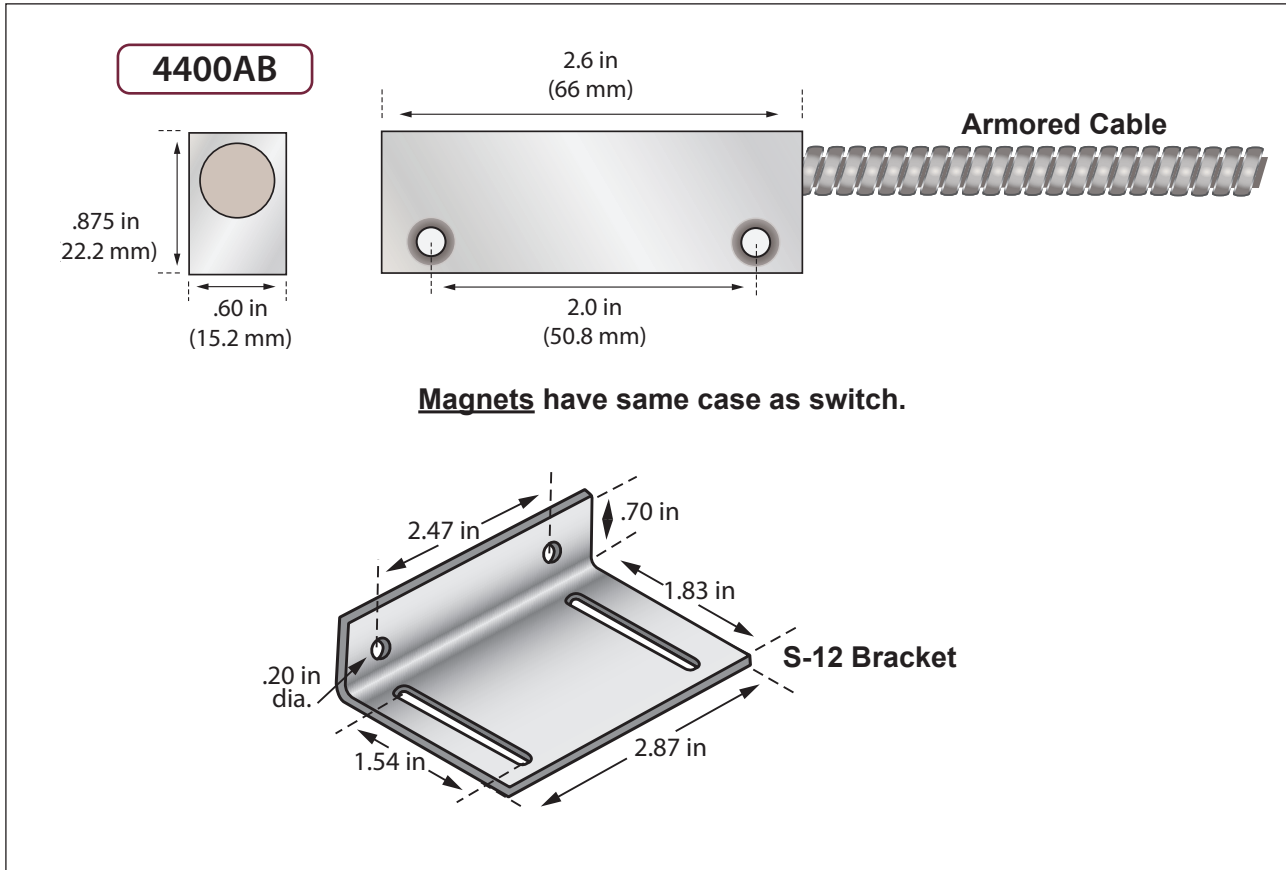


1-800-445-5218
1-800-523-1227
(308) 235-4645
FAX (308) 235-3561
E-MAIL: sales@grisk.com

Biased Aluminum Industrial Switch Set



WWW.GRISK.COM



GRI PRODUCTS MEET OR EXCEED THESE MINIMUM GENERAL SPECIFICATIONS:

Part Number	Loop Type	Electrical Configuration	Reed Form	Max. Initial Contact Resistance (Ω)	Max. Contact Rating (W)	Max. Switching Voltage (VDC)	Max. Switching Current (A)
4400AB	Closed	N/O	A	.140	5	175	.250
4402AB	Open/Closed	SPDT	C	.140	5	175	.250

WARRANTY: Lifetime warranty against workmanship, material and factory defects.

GEORGE RISK INDUSTRIES, INC.
G.R.I. PLAZA
KIMBALL, NE 69145

WWW.GRISK.COM



1-800-445-5218
1-800-523-1227
(308) 235-4645
FAX (308) 235-3561
E-MAIL: sales@grisk.com