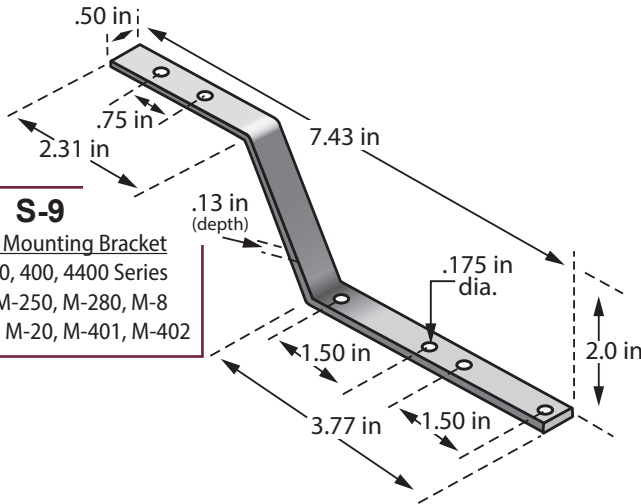


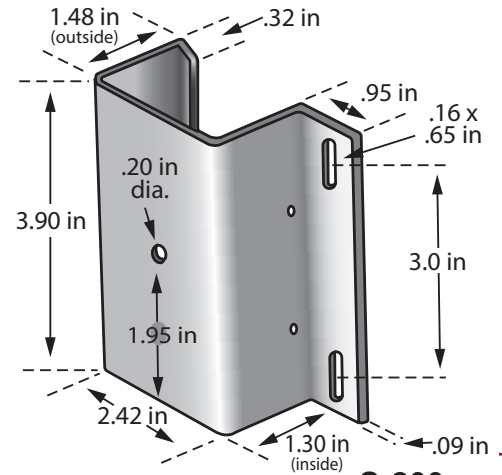
Brackets



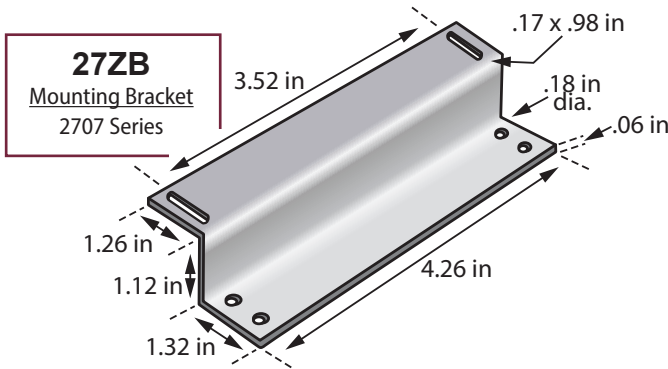
WWW.GRISK.COM



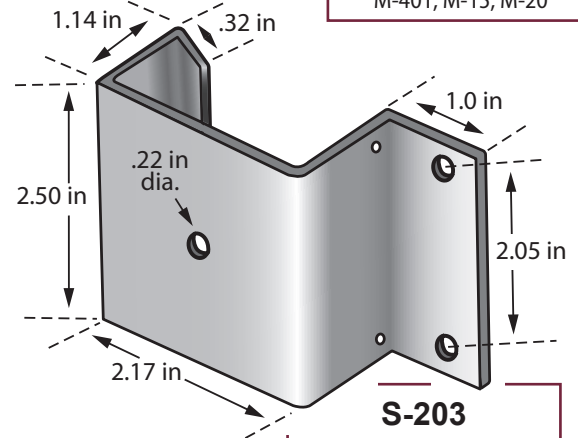
S-9
Offset "Z" Mounting Bracket
28/29, 250, 400, 4400 Series
M-4400, M-250, M-280, M-8
M-14, M-15, M-20, M-401, M-402



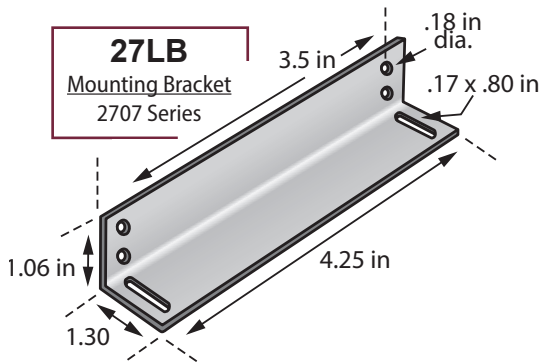
S-200
Garage Door Track Bracket
400 Series
M-401, M-15, M-20



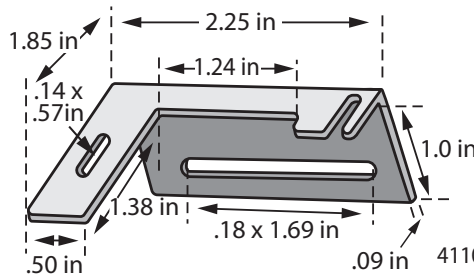
27ZB
Mounting Bracket
2707 Series



S-203
Garage Door Track Bracket
250, 4400 Series, M-4400,
M-250, M-280, M-8, M-14



27LB
Mounting Bracket
2707 Series



S-41
Mounting Bracket
4110, 4110A, 4112, 4112A

GEORGE RISK INDUSTRIES, INC.
G.R.I. PLAZA
KIMBALL, NE 69145
WWW.GRISK.COM



1-800-445-5218
1-800-523-1227
(308) 235-4645
FAX (308) 235-3561
E-MAIL: sales@grisk.com

Brackets

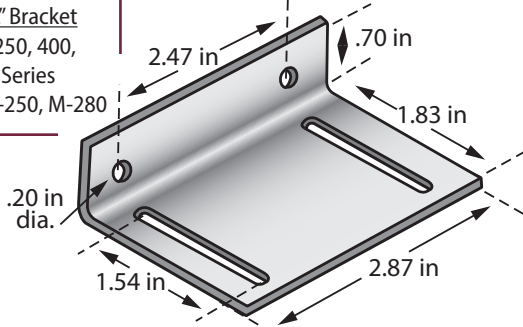


WWW.GRISK.COM

S-12

Short "L" Bracket
28/29, 250, 400,
4400 Series

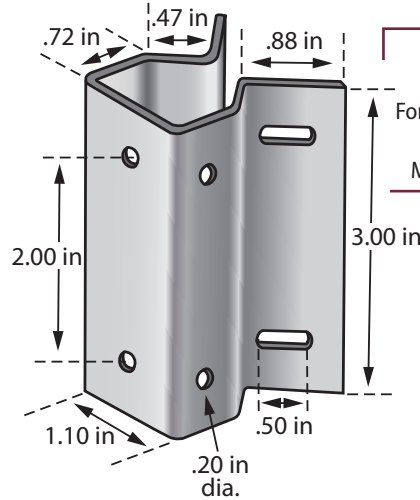
M-4400, M-250, M-280



S-202

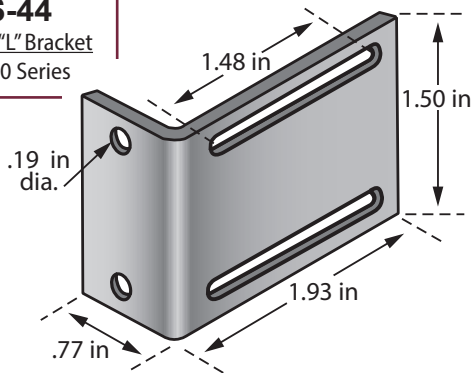
Small Fence Bracket

For 1 3/8" - 2 1/2" dia. post
250, 4400 Series
M-4400, M-250, M-280



S-44

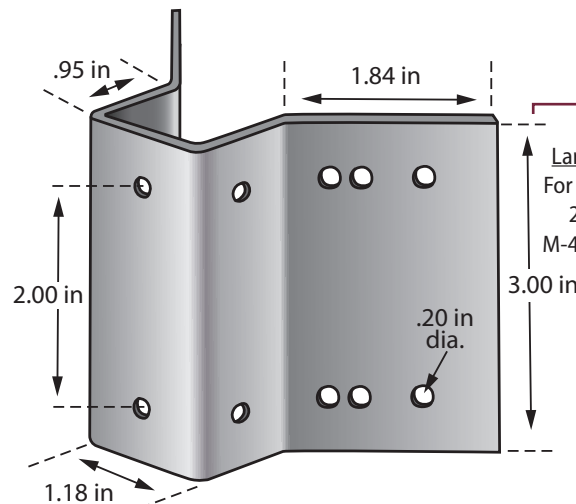
Small "L" Bracket
4460 Series



S-201

Large Fence Bracket

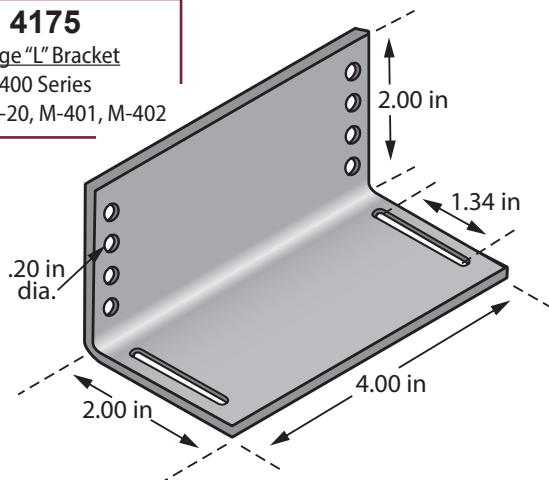
For 2 1/2" - 4" dia post
250, 4400 Series
M-4400, M-250, M280



4175

Large "L" Bracket
400 Series

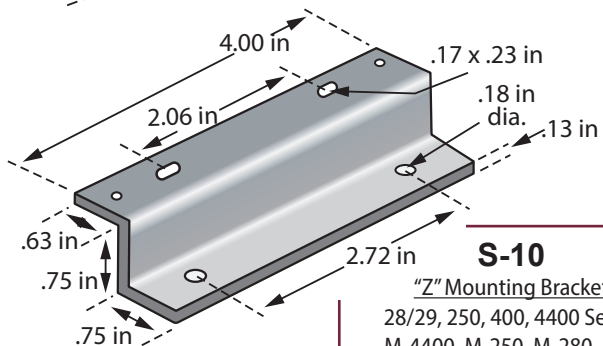
M-15, M-20, M-401, M-402



S-10

"Z" Mounting Bracket

28/29, 250, 400, 4400 Series
M-4400, M-250, M-280, M-8
M-14, M-15, M-20, M-401, M-402



GEORGE RISK INDUSTRIES, INC.
G.R.I. PLAZA
KIMBALL, NE 69145

WWW.GRISK.COM



1-800-445-5218
1-800-523-1227
(308) 235-4645
FAX (308) 235-3561
E-MAIL: sales@grisk.com