

# Power Transfer Device with Custom Lengths .218 Diameter

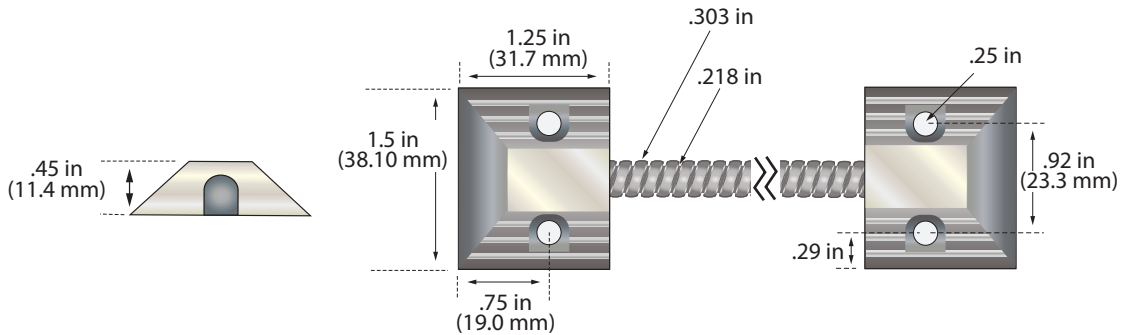
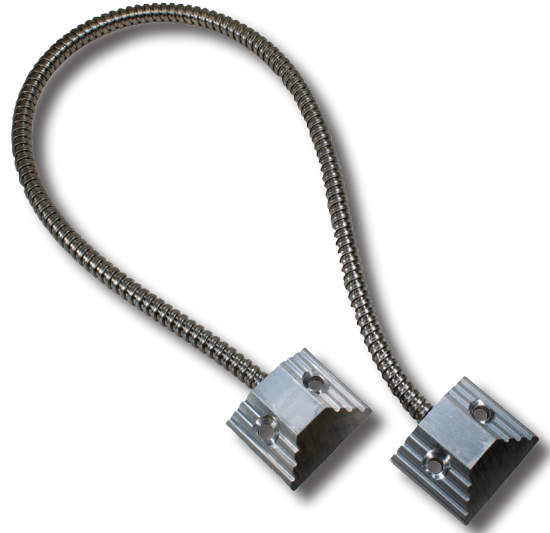
WWW.GRISK.COM



**REGULAR  
SIZE**

## PTDC

- ◆ Heavy duty aluminum ends
- ◆ 8296 Stainless steel armored cable
- ◆ 0.218" / 5.55mm inside diameter
- ◆ 0.303" / 7.77mm outside diameter
  - ◆ Includes mounting screws
  - ◆ Twist lock cable into ends
  - ◆ Secure with #832 set screws  
(use 5/64 allen wrench)
- ◆ Custom armored cable lengths upon request



| <u>Part Numbers</u> |        |                 |                  |
|---------------------|--------|-----------------|------------------|
|                     | Length | Inside Diameter | Outside Diameter |
| PTDC (ends only)    |        |                 |                  |
| PTDC-7              | 7"     | 0.218"/5.55mm   | 0.303" /7.77mm   |
| PTDC-12             | 12"    | 0.218"/5.55mm   | 0.303" /7.77mm   |
| PTDC-18             | 18"    | 0.218"/5.55mm   | 0.303" /7.77mm   |
| PTDC-24             | 24"    | 0.218"/5.55mm   | 0.303" /7.77mm   |
| PTDC-36             | 36"    | 0.218"/5.55mm   | 0.303" /7.77mm   |

**8296 estimated wire allowance: Six 22 gauge stranded,  
2 each, 2 & 3 conductor, 1 each 4-6 conductor.**

GEORGE RISK INDUSTRIES, INC.  
G.R.I. PLAZA  
KIMBALL, NE 69145  
WWW.GRISK.COM



Made in U.S.A.

TOLL-FREE 1-800-445-5218  
TOLL-FREE 1-800-523-1227  
(308) 235-4645  
FAX (308) 235-3561  
E-MAIL: sales@grisk.com

# Power Transfer Device with Custom Lengths .313" Diameter

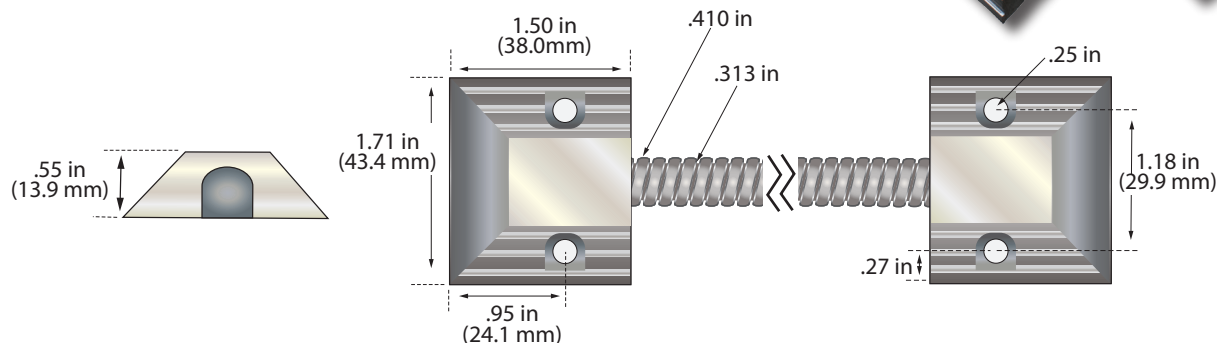
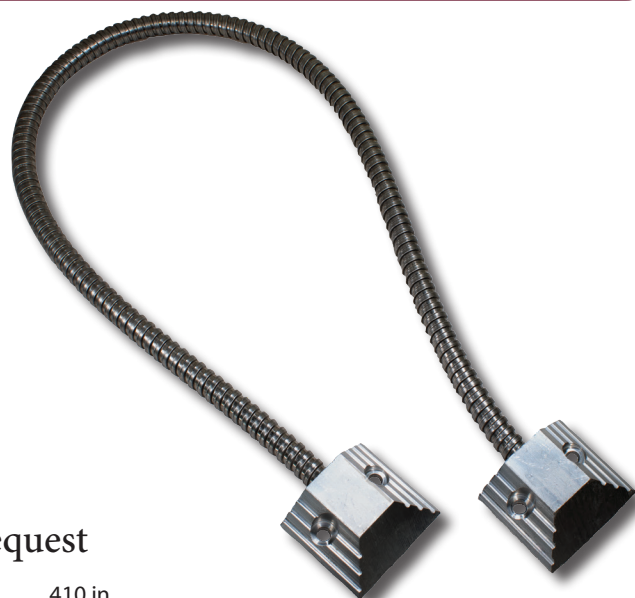
WWW.GRISK.COM



**LARGE  
SIZE**

## PTDCL

- ◆ Heavy duty aluminum ends
- ◆ 8449 Stainless steel armored cable
- ◆ 0.313" / 7.94mm inside diameter
- ◆ 0.410" / 10.91mm outside diameter
  - ◆ Includes mounting screws
  - ◆ Twist lock cable into ends
  - ◆ Secure with #832 set screws (use 5/64 allen wrench)
- ◆ Custom armored cable lengths upon request



### Part Numbers

|                   | Length | Inside Diameter | Outside Diameter |
|-------------------|--------|-----------------|------------------|
| PTDCL (ends only) |        |                 |                  |
| PTDCL-7           | 7"     | 0.313"/7.94mm   | 0.410" /10.91mm  |
| PTDCL-12          | 12"    | 0.313"/7.94mm   | 0.410" /10.91mm  |
| PTDCL-18          | 18"    | 0.313"/7.94mm   | 0.410" /10.91mm  |
| PTDCL-24          | 24"    | 0.313"/7.94mm   | 0.410" /10.91mm  |
| PTDCL-36          | 36"    | 0.313"/7.94mm   | 0.410" /10.91mm  |

**8449 estimated wire allowance: Ten 22 gauge stranded,  
5 each, 2 conductor, 4 each 3 conductor  
3 each 4/5 conductor, 2 each 6 conductor**

**WARRANTY:** Lifetime warranty against workmanship, material and factory defects.

GEORGE RISK INDUSTRIES, INC.  
G.R.I. PLAZA  
KIMBALL, NE 69145  
WWW.GRISK.COM



TOLL-FREE 1-800-445-5218  
TOLL-FREE 1-800-523-1227  
(308) 235-4645  
FAX (308) 235-3561  
E-MAIL: sales@grisk.com