

Triple Biased High Security

WWW.GRISK.COM

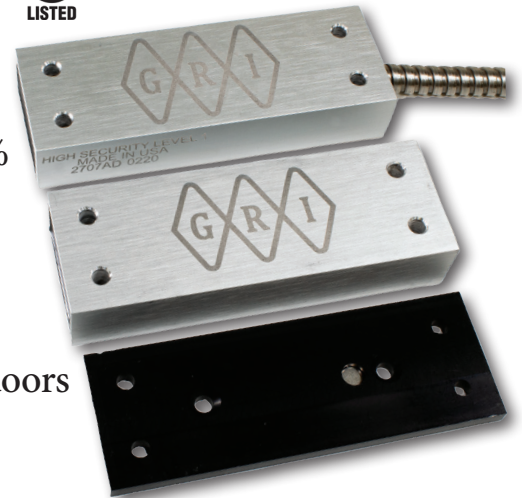


NEW

GR2707 Series

SECURITY
UL US
LISTED

- ◆ High security Level 1
- ◆ Alignment: +/- .125"
- ◆ Sensing air gap: .125 to .500" +/-20%
- ◆ 36" stainless steel armored cable
- ◆ Temperature rated -35° to +70° C
- ◆ Resistant to magnetic tamper and defeat
- ◆ Rated for indoor and outdoor use
- ◆ Inward/outward swinging, protected/non-protected doors
- ◆ Dry-contacts compatible with legacy alarm panels and interface systems
- ◆ Industry standard footprint & mounting hole locations
- ◆ Optional L and Z brackets and spacers available



Tamper Plate and
3 Spacers included

The GR2707 series high security switches are built with three C form reeds making them resistant to magnetic tamper and defeat. For added security, magnetic field tamper and pry tamper are standard features. Each GR2707 contact and actuation magnet set is factory compensated for the effects of steel.

The GR2707 Series can be used to protect doors in high security locations; airports, biotechnology labs and other medical research settings, warehouses, manufacturing plants, jewelry stores, banks, data processing centers, military bases, ammunition depots and energy-generation facilities.

The GR2707-A is configured in a SPDT configuration using three C form reeds. The GR2707-AD contains six C form reeds wired in a DPDT configuration. A supervisory loop with magnetic tamper feature is included in both models. A pry tamper connection for the 24 hour loop is included with both models.

INSTALLATION INSTRUCTIONS

The GR2707 series sensor and tamper plate will be mounted to the door frame, close to the gap, without door interference. The tamper plate magnet must be oriented to match the target engraved on the sensor. The actuator will be mounted below the sensor with respect to the mounting orientation best suited for direction of door swing. Be sure to aim the engraved targets at each other once fully installed. Spacers may be used for alignment purposes.

The following installation method is recommended: Bring the actuator towards the sensor until the closed loop is activated. Use a multi-meter or similar device to detect open/closed states. Continue moving the actuator another 0.125" to 0.250" towards sensor to provide adequate magnetic overdrive.

Mounting conditions, such as type of substrate, lateral alignment, thickness of the metal substrate, etc. may alter gap distance.

Note: Intended to be powered by a UL 603 Listed, power limited supply.

WARRANTY: Lifetime warranty against workmanship, material and factory defects.

GEORGE RISK INDUSTRIES, INC.
G.R.I. PLAZA
KIMBALL, NE 69145
WWW.GRISK.COM



Made in U.S.A.

C_HS 4 Triple biased 2707 series

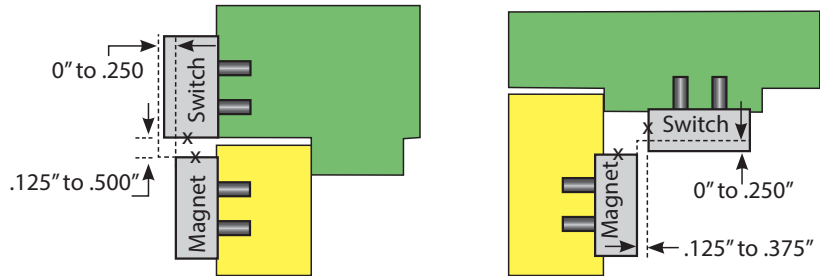
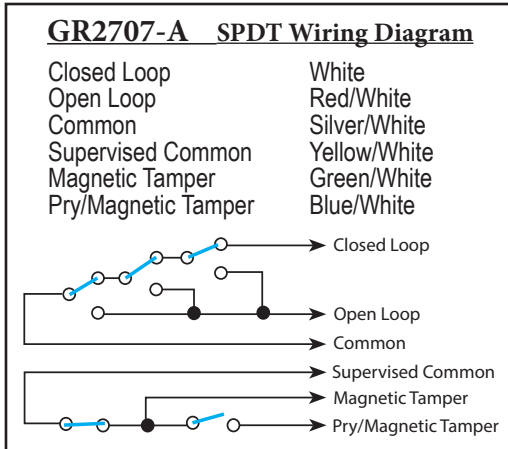
TOLL-FREE 1-800-445-5218
TOLL-FREE 1-800-523-1227
(308) 235-4645
FAX (308) 235-3561
E-MAIL: sales@grisk.com

Triple Biased High Security

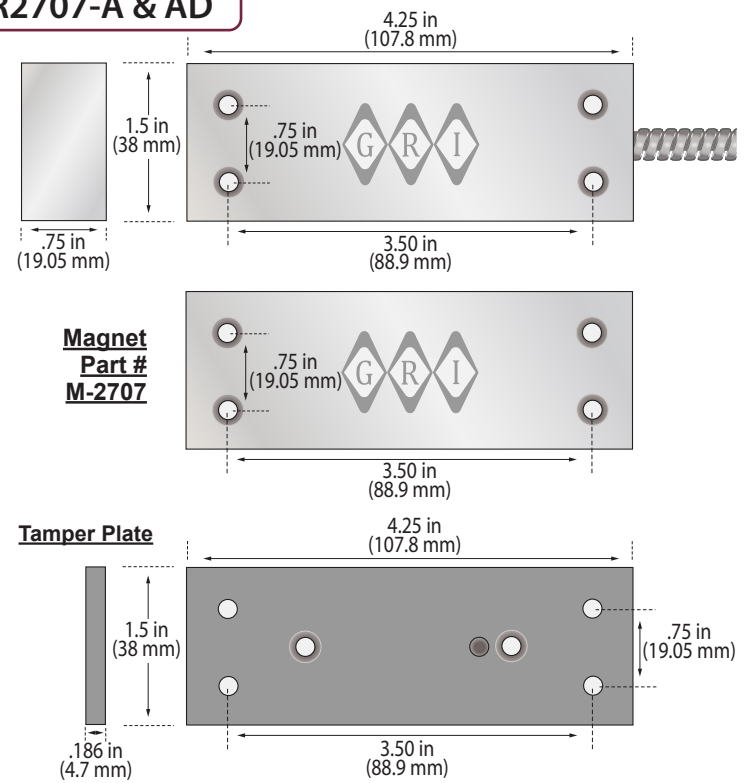
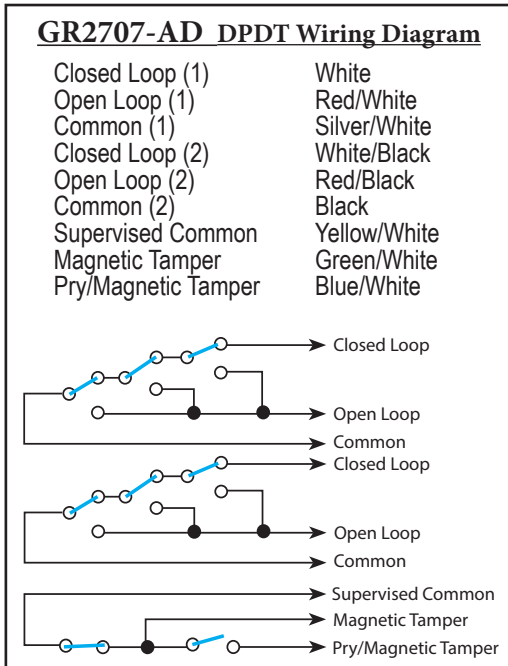
WWW.GRISK.COM



Installation Plans:



GR2707-A & AD



GRI PRODUCTS MEET OR EXCEED THESE MINIMUM GENERAL SPECIFICATIONS:

Part Number	Loop Type	Electrical Configuration	Max. Contact Rating (W)	Max. Switching Voltage (VDC)	Max. Switching Current (A)
GR2707-A	Open/Closed	SPDT	3	30	.25
GR2707-AD	Open/Closed	DPDT	3	30	.25

WARRANTY: Lifetime warranty against workmanship, material and factory defects.

GEORGE RISK INDUSTRIES, INC.
G.R.I. PLAZA
KIMBALL, NE 69145
WWW.GRISK.COM



TOLL-FREE 1-800-445-5218
TOLL-FREE 1-800-523-1227
(308) 235-4645
FAX (308) 235-3561
E-MAIL: sales@grisk.com