

1/2" Snap Fit Short Recessed Switch Set

WWW.GRISK.COM



150RS Series

- ◆ Designed for hollow core doors and windows
 - ◆ Hole size allows for extra wire, etc.
 - ◆ 1/2"+ Standard gap ◆ Hermetically sealed
 - ◆ Installs firmly in wood, vinyl and aluminum
- ◆ Recessed magnetic contact ◆ Press or snap to fit
 - ◆ 12" #22AWG leads or screw terminals
- ◆ Longer leads, zip cord or jacketed cable upon request
 - ◆ Plated contacts resist sticking or freezing
 - ◆ Built-in E.O.L. Resistors and Diodes upon request
 - ◆ Supervisory Loops available upon request
 - ◆ Switches and Magnets available separately
 - ◆ Colors: white and brown
 - ◆ Lifetime Warranty



150RS-12



150RS-T

Part Numbers

	<u>Closed Loop</u>
Standard Gap 1/2"	150RS-12
Standard Gap 1/2"	150RS-T
Standard Gap 1/2"	N150RS-12
Wide Gap 3/4"	N150RS-12WG
Standard Gap 1/2"	N150RS-T
Wide Gap 3/4"	N150RS-TWG

WARRANTY: Lifetime warranty against workmanship, material and factory defects.

GEORGE RISK INDUSTRIES, INC.
G.R.I. PLAZA
KIMBALL, NE 69145
WWW.GRISK.COM



Made in U.S.A.

C_RS 11_snap fit short 150RS

TOLL-FREE 1-800-445-5218
TOLL-FREE 1-800-523-1227
(308) 235-4645
FAX (308) 235-3561
E-MAIL: sales@grisk.com

1/2" Snap Fit Short Recessed Switch Set

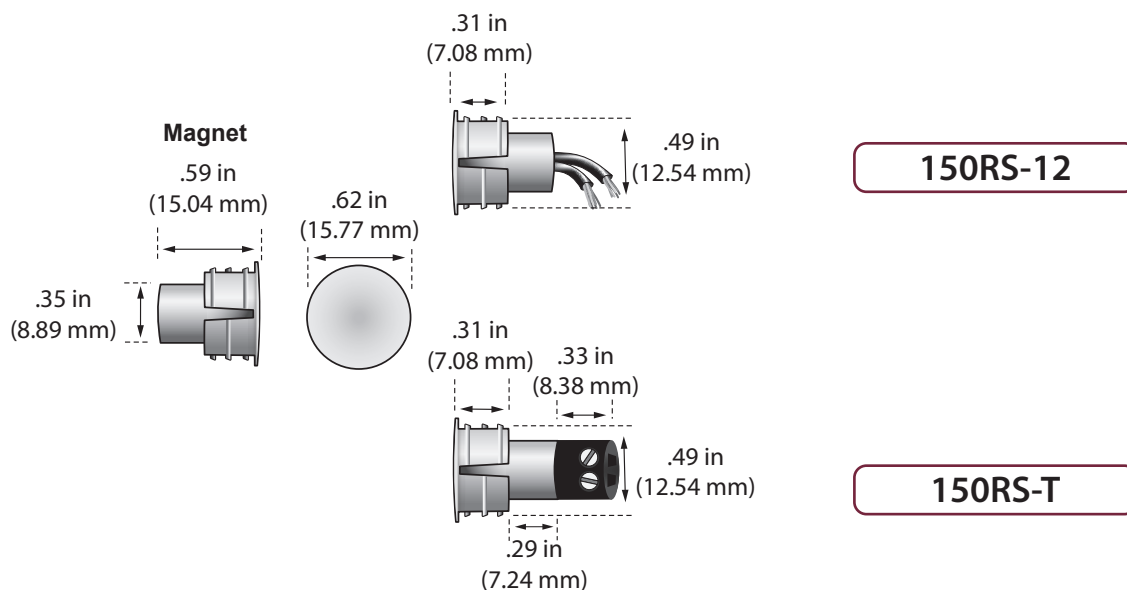


WWW.GRISK.COM

Larger than 3/8" but smaller than 3/4", the GRI 150RS Series is a one-half inch diameter, flush mount contact. This 1/2" diameter design allows additional "working room" for extra wire, E.O.L. resistors, etc. Manufactured from a special polyvinyl material, the unique collar design will press into hollow core aluminum or vinyl clad windows with a "snap-in" fit. The 150RS can be ordered with 12" leads or screw terminals.

The GRI 150RS is paired with a matching 1/2" magnet case to offer the installer a 1/2"+ gap. The 150RS switches can also be paired with any of the wide selection of GRI magnets to help resolve difficult installation applications, including our MF-875.

Patent Pending.



GRI PRODUCTS MEET OR EXCEED THESE MINIMUM GENERAL SPECIFICATIONS:

Part Number	Loop Type	Electrical Configuration	Reed Form	Max. Initial Contact Resistance (Ω)	Max. Contact Rating (W)	Max. Switching Voltage (VDC)	Max. Switching Current (A)
150RS-12	Closed	N/O	A	.150	10	200	.500
150RS-T	Closed	N/O	A	.150	10	200	.500
N150RS-12	Closed	N/O	A	.150	10	200	.500
N150RS-12WG	Closed	N/O	A	.150	10	200	.500
N150RS-T	Closed	N/O	A	.150	10	200	.500
N150RS-TWG	Closed	N/O	A	.150	10	200	.500

WARRANTY: Lifetime warranty against workmanship, material and factory defects.

GEORGE RISK INDUSTRIES, INC.
G.R.I. PLAZA
KIMBALL, NE 69145
WWW.GRISK.COM



TOLL-FREE 1-800-445-5218
TOLL-FREE 1-800-523-1227
(308) 235-4645
FAX (308) 235-3561
E-MAIL: sales@grisk.com