


# Door Channel Magnet with 3/4" & 1" Recessed Switch

WWW.GRISK.COM

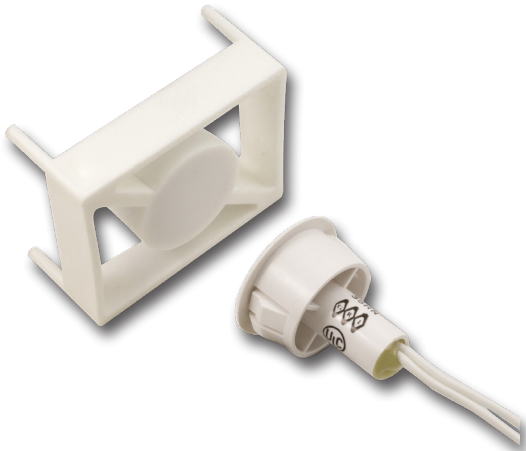


## MC-180 Series

- ◆ The MC-180 is designed to be mounted in top channel of a metal door
- ◆ Legs of the magnet case can be clipped to accommodate a more shallow channel
  - ◆  Indicates U.L. 10C Fire Rated



MC-180 




MC-180 shown with 180MC-12



MC-180 shown with 8080-TMC

### Part Numbers

Standard Gap up to 1" on steel	3/4" Dia. 1" Dia. 3/4 Dia. 1" Dia.	<u>Closed Loop</u>	<u>Open Loop</u> 	<u>SPDT</u>	<u>DPDT</u>
		180MC-12	185MC-12	190MC-12	195MC-12
		184MC-12	189MC-12	194MC-12	199MC-12
		8080-TMC	8585-TMC		
		8484-TMC	8989-TMC		

**WARRANTY:** Lifetime warranty against workmanship, material and factory defects.

GEORGE RISK INDUSTRIES, INC.  
G.R.I. PLAZA  
KIMBALL, NE 69145  
WWW.GRISK.COM



Made in U.S.A.

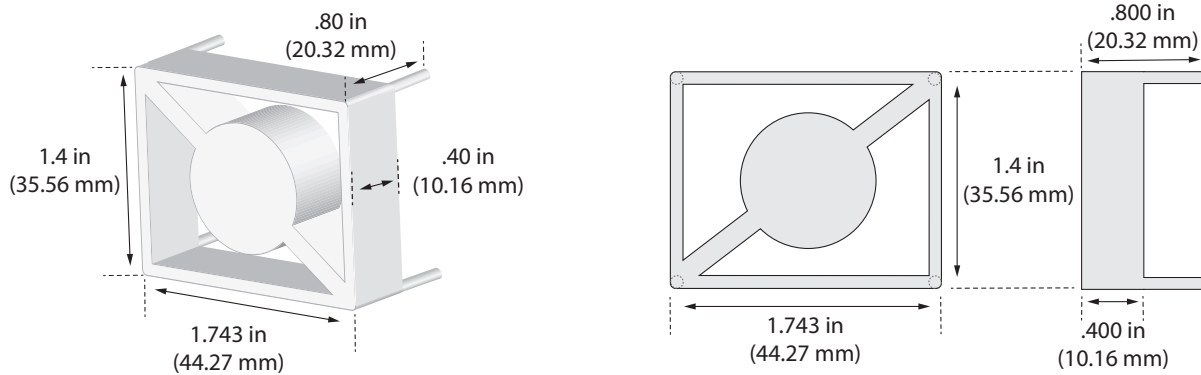
TOLL-FREE 1-800-445-5218  
TOLL-FREE 1-800-523-1227  
(308) 235-4645  
FAX (308) 235-3561  
E-MAIL: sales@grisk.com

# Door Channel Magnet with 3/4" & 1" Recessed Switch

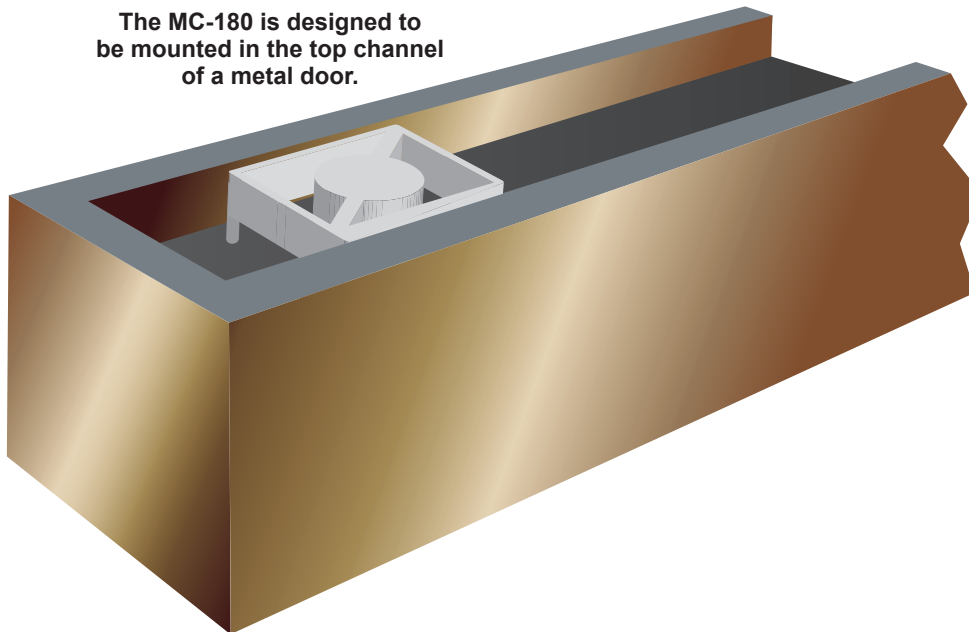
WWW.GRISK.COM



MC-180



The MC-180 is designed to  
be mounted in the top channel  
of a metal door.



**WARRANTY:** Lifetime warranty against workmanship, material and factory defects.

GEORGE RISK INDUSTRIES, INC.  
G.R.I. PLAZA  
KIMBALL, NE 69145  
WWW.GRISK.COM



TOLL-FREE 1-800-445-5218  
TOLL-FREE 1-800-523-1227  
(308) 235-4645  
FAX (308) 235-3561  
E-MAIL: sales@grisk.com