

Oval Channel Magnet with 3/4" & 1" Recessed Switch

WWW.GRISK.COM



GR1840

UL pending



GR1840

- ◆ The GR1840 neodymium magnet is designed to be mounted in the top channel of a metal entry and/or exit door
- ◆ The magnet can be rotated to fit either wide or narrow top channels
- ◆ Switch colors: white, brown and gray
- ◆ Magnets available separately. Part No. GR1840



GR1840
shown with 1800C-12



GR1840
shown with 8080-TOC



Part Numbers

Standard Gap
5/8" +
on steel

3/4" Dia.

1" Dia.

Closed Loop
1800C-12
8080-TOC
1840C-12
8484-TOC

WARRANTY: Lifetime warranty against workmanship, material and factory defects.

GEORGE RISK INDUSTRIES, INC.
G.R.I. PLAZA
KIMBALL, NE 69145

WWW.GRISK.COM



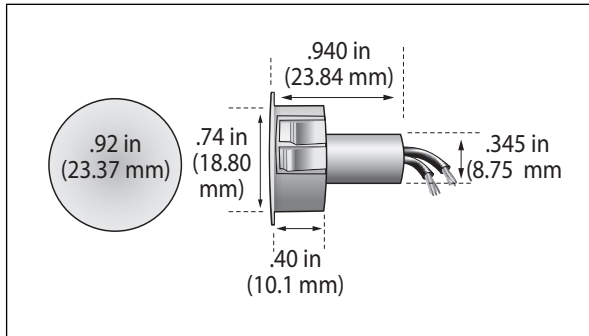
1-800-445-5218
1-800-523-1227
(308) 235-4645
FAX (308) 235-3561
E-MAIL: sales@grisk.com

Oval Channel Magnet with 3/4" & 1" Recessed Switch

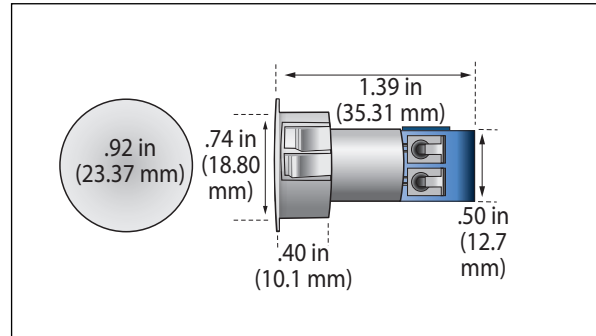
WWW.GRISK.COM



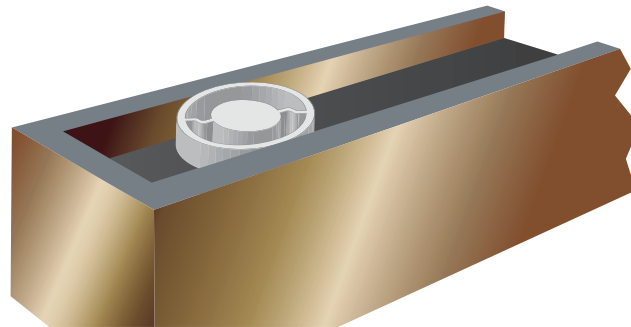
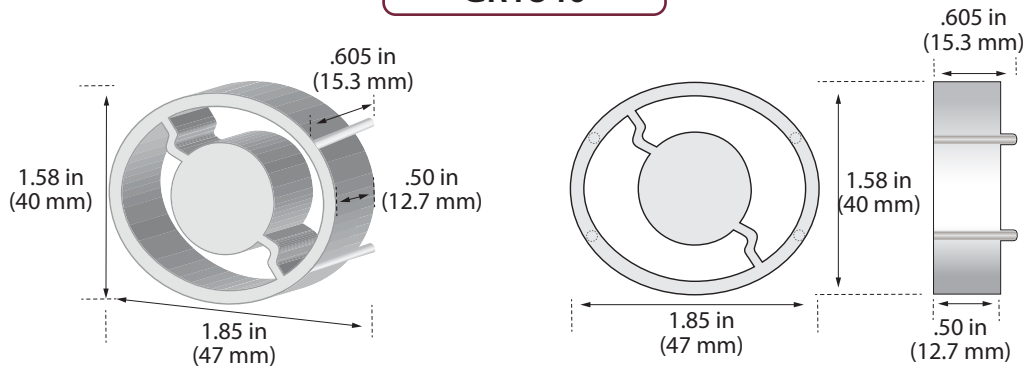
1800C-12



8080-TOC



GR1840



WARRANTY: Lifetime warranty against workmanship, material and factory defects.

GEORGE RISK INDUSTRIES, INC.
G.R.I. PLAZA
KIMBALL, NE 69145

WWW.GRISK.COM



1-800-445-5218
1-800-523-1227
(308) 235-4645
FAX (308) 235-3561
E-MAIL: sales@grisk.com