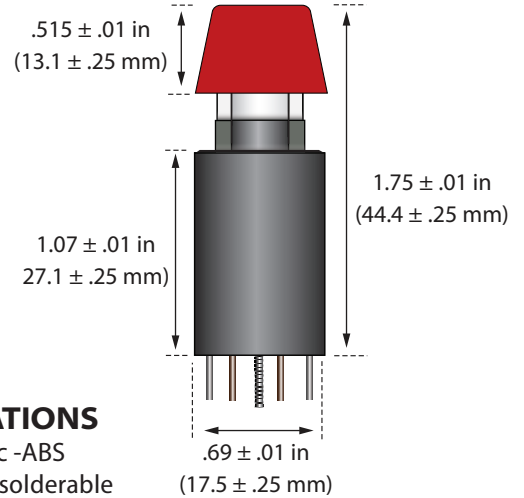




SERIES KB SWITCH

- ◇ Dry Reed
- ◇ Hermetically Sealed Contacts
- ◇ Low Contact Resistance
- ◇ Life Expectancy in the Millions
- ◇ Momentary Action
- ◇ Low Bounce Characteristics
- ◇ PC Board Mount
- ◇ Ideal for Dry Circuits or Higher Current Applications



All standard switch forms shown below.

ELECTRICAL SPECIFICATIONS

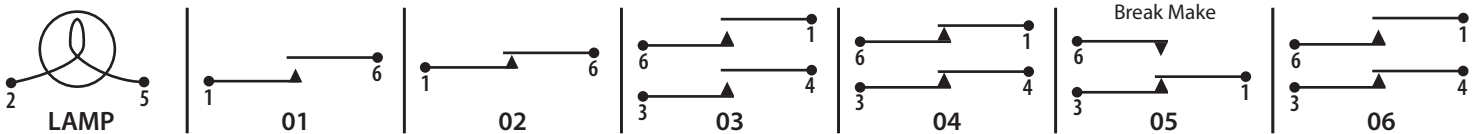
- Contact Rating:** -3 watts resistive. 4 V.A. non-inductive. .25 A, 125V. max. rating.
- Contact Bounce:** 500 microseconds max.
- Contact Resistance:** 200 milliohms max.
- Insulation Resistance:** 10⁸ Megohms
- Operating Temp:** -55 to +150 degrees C.
- Life Expectancy:** 50 million operations

MECHANICAL SPECIFICATIONS

- Switch Case:** Self extinguishing plastic -ABS
- External Switch Terminals:** Weldable or solderable

	KB
Pre-travel min	.062 (1.57)
Over travel	.020 (0.51)
Total travel	3/16 (4.76)

STANDARD SWITCH FORMS



TYPICAL ORDERING PATTERN

KB - XX - XXX - XX.X - XX - XXXX - XX

FORM	KEYCAP	LAMP VOLTAGE	OPERATING PRESSURE	KEYCAP COLOR	MOUNTING TYPE
01 SPST-NO	-II -K	NOTE:1		09 = White	FL
02 SPST-NC	-IJ -L		-01 2.5 oz. (71)	09A = Off-White	
03 DPST-NO	-IJT -M**	05.0	-02 4.0 oz. (113)	09BL = Ill. White	
04 DPST-NC	-J -N**	12.0	-03 6.0 oz. (170)	10 = Black	
05 SPDT-BM	-JJ -NNN***	14.0		11 = Red/Orange	
06 DPST-NO-NC	-JT -BM	28.0		11BL = Ill. Fire Engine Red	
	-JJT -R			11C = Brick Red/Brown	
	** -GM -B			12 = Dark Green	
	** -HM			12BL = Ill. Green	
				13 = Dark Blue	
				13A = Med. Blue	
				13BL = Ill. Light Blue	
				13CL = Ill. Dark Blue	
				14 = Dark Grey	
				14A = Med. Grey	
				14B = Light Grey	
				17 = Yellow/Gold	
				17AL = Ill. Canary Yellow	

NOTE:

1. XX.X Designates Lamp Socket with No Bulb
00.0 No Bulb, No Socket
2. Refer to Keycap Spec. Sheet for measurements.
3. Numbers which include "L" must be used for illuminated switches.
4. ** Not recommended for illumination.
5. Measurements printed in parenthesis are metric.

GEORGE RISK INDUSTRIES, INC.
802 S. Elm St.
KIMBALL, NE 69145



Made in U.S.A.

TOLL-FREE 1-800-445-5218
TOLL-FREE 1-800-523-1227
(308) 235-4645
FAX (308) 235-2609
E-MAIL: doug@grisk.com

WWW.GRISK.COM