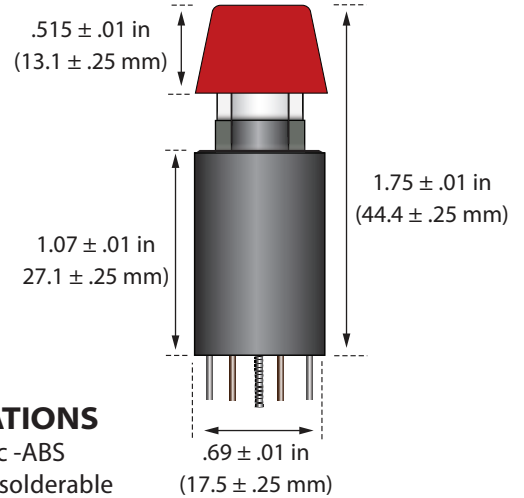




# SERIES KB SWITCH

- ◇ Dry Reed
- ◇ Hermetically Sealed Contacts
- ◇ Low Contact Resistance
- ◇ Life Expectancy in the Millions
- ◇ Momentary Action
- ◇ Low Bounce Characteristics
- ◇ PC Board Mount
- ◇ Ideal for Dry Circuits or Higher Current Applications



All standard switch forms shown below.

## ELECTRICAL SPECIFICATIONS

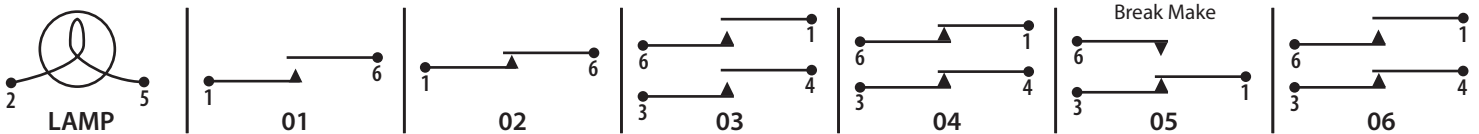
- Contact Rating:** -3 watts resistive. 4 V.A. non-inductive. .25 A, 125V. max. rating.
- Contact Bounce:** 500 microseconds max.
- Contact Resistance:** 200 milliohms max.
- Insulation Resistance:** 10<sup>8</sup> Megohms
- Operating Temp:** -55 to +150 degrees C.
- Life Expectancy:** 50 million operations

## MECHANICAL SPECIFICATIONS

- Switch Case:** Self extinguishing plastic -ABS
- External Switch Terminals:** Weldable or solderable

	<b>KB</b>
Pre-travel min	.062 (1.57)
Over travel	.020 (0.51)
Total travel	3/16 (4.76)

## STANDARD SWITCH FORMS



## TYPICAL ORDERING PATTERN

KB - XX - XXX - XX.X - XX - XXXX - XX

FORM	KEYCAP	LAMP VOLTAGE NOTE:1	OPERATING PRESSURE	KEYCAP COLOR	MOUNTING TYPE
01 SPST-NO	-II      -K	05.0 12.0 14.0 28.0	-01 2.5 oz. (71) -02 4.0 oz. (113) -03 6.0 oz. (170)	09 = White 09A = Off-White 09BL = III. White 10 = Black 11 = Red/Orange 11BL = III. Fire Engine Red 11C = Brick Red/Brown 12 = Dark Green 12BL = III. Green	FL
02 SPST-NC	-IJ      -L				
03 DPST-NO	-IJT    -M**				
04 DPST-NC	-J      -N**				
05 SPDT-BM	-JJ      -NNN***				
06 DPST-NO-NC	-JJT    -BM				
	** -GM			13 = Dark Blue	
	** -HM			13A = Med. Blue	
				13BL = III. Light Blue	
				13CL = III. Dark Blue	
				14 = Dark Grey	
				14A = Med. Grey	
				14B = Light Grey	
				17 = Yellow/Gold	
				17AL = III. Canary Yellow	

**NOTE:**

1. XX.X Designates Lamp Socket with No Bulb  
00.0 No Bulb, No Socket
2. Refer to Keycap Spec. Sheet for measurements.
3. Numbers which include "L" must be used for illuminated switches.
4. \*\* Not recommended for illumination.
5. Measurements printed in parenthesis are metric.

**GEORGE RISK INDUSTRIES, INC.**  
802 S. Elm St.  
KIMBALL, NE 69145



Made in U.S.A.

**TOLL-FREE 1-800-445-5218**  
**TOLL-FREE 1-800-523-1227**  
**(308) 235-4645**  
**FAX (308) 235-2609**  
**E-MAIL: sharonw@grisk.com**

**WWW.GRISK.COM**