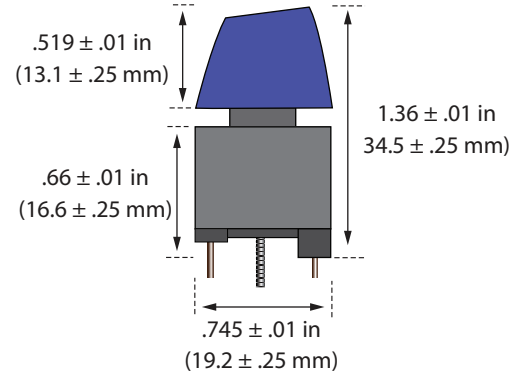




SERIES KBLP SWITCH

- ◇ Dry Reed
- ◇ Hermetically Sealed Contacts
- ◇ Low Contact Resistance
- ◇ Life Expectancy in the Millions
 - ◇ Momentary Action
- ◇ Low Bounce Characteristics
 - ◇ PC Board Mount
- ◇ Ideal for Dry Circuits or Higher Current Applications



All standard switch forms shown below.

ELECTRICAL SPECIFICATIONS

Contact Rating: -3 watts resistive. 4 V.A. non-inductive.
.25 A, 125V. max. rating.

Contact Bounce: 500 microseconds max.

Contact Resistance: 200 milliohms max.

Insulation Resistance: 10⁸ Megohms

Operating Temp: -55 to +150 degrees C.

Life Expectancy: 50 million operations

MECHANICAL SPECIFICATIONS

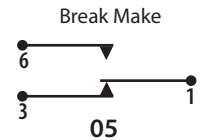
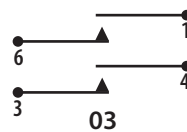
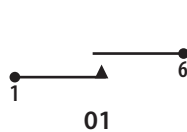
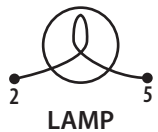
Switch Case: Self extinguishing plastic -ABS

External Switch Terminals: Weldable or solderable

KBLP

| | |
|----------------|-------------|
| Pre-travel min | .062 (1.57) |
| Over travel | .020 (0.51) |
| Total travel | 5/32 (3.97) |

STANDARD SWITCH FORMS



TYPICAL ORDERING PATTERN

KBLP - XX - XXX - XX.X - XX - XXXX - XX

| FORM | KEYCAP | LAMP VOLTAGE | OPERATING PRESSURE | KEYCAP COLOR | MOUNTING TYPE |
|------------|--|--|--|--|---------------|
| 01 SPST-NO | -II -IJ -IJT -J -JJ -JT -JJT **-GM **-HM | NOTE:1 05.0 12.0 14.0 28.0 | -01 2.5 oz. (71) -02 4.0 oz. (113) -03 6.0 oz. (170) | 09 = White 09A = Off-White 09BL=III. White 10=Black 11=Red/Orange 11BL=III. Fire Engine Red 11C=Brick Red/Brown 12=Dark Green 12BL=III. Green | FL |
| 03 DPST-NO | -K -L -M** -N** -NNN*** -BM -R -B | | | 13=Dark Blue 13A=Med. Blue 13BL=III. Light Blue 13CL=III. Dark Blue 14=Dark Grey 14A=Med. Grey 14B=Light Grey 17=Yellow/Gold 17AL=III. Canary Yellow | |
| 05 SPDT-BM | | | | | |

NOTE:

- XX.X Designates Lamp Socket with No Bulb
00.0 No Bulb, No Socket
- Refer to Keycap Spec. Sheet for measurements.
- Numbers which include "L" must be used for illuminated switches.
- ** Not recommended for illumination.
- Measurements printed in parenthesis are metric.

GEORGE RISK INDUSTRIES, INC.
802 S. Elm St.
KIMBALL, NE 69145



Made in U.S.A.

TOLL-FREE 1-800-445-5218
TOLL-FREE 1-800-523-1227
(308) 235-4645
FAX (308) 235-2609
E-MAIL: sharonw@grisk.com

WWW.GRISK.COM