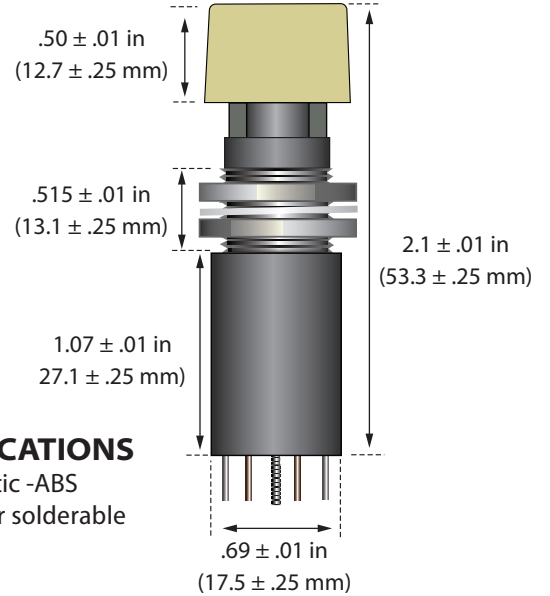




SERIES KBPS SWITCH

- ◇ Dry Reed
- ◇ Hermetically Sealed Contacts
- ◇ Low Contact Resistance
- ◇ Life Expectancy in the Millions
 - ◇ Momentary Action
 - ◇ Low Bounce Characteristics
- ◇ Terminals Weldable and Solderable
- ◇ Ideal for Dry Circuits or Higher Current Applications



All standard switch forms shown below.

ELECTRICAL SPECIFICATIONS

- Contact Rating:** -3 watts resistive, 4 V.A. non-inductive.
.25 A, 125V. max. rating.
- Contact Bounce:** 500 microseconds max.
- Contact Resistance:** 200 milliohms max.
- Insulation Resistance:** 10⁸ Megohms
- Operating Temp:** -55 to +150 degrees C.
- Life Expectancy:** 50 million operations

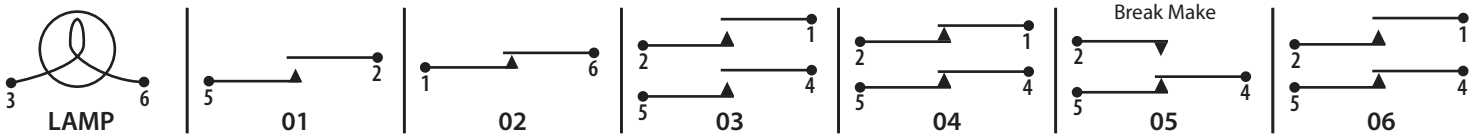
MECHANICAL SPECIFICATIONS

- Switch Case:** Self extinguishing plastic -ABS
- External Switch Terminals:** Weldable or solderable

KBPS

- Pre-travel min.** .062 (1.57)
- Over travel max.** .062 (1.57)
- Total travel** .200 \pm .010 (5.08-25)

STANDARD SWITCH FORMS



TYPICAL ORDERING PATTERN

KBPS - XX - XXX - XX.X - XX - XXXX

FORM	KEYCAP	LAMP VOLTAGE NOTE:1	OPERATING PRESSURE	KEYCAP COLOR
01 SPST-NO	-F	05.0	-01 2.5 oz. (71)	09 = White
02 SPST-NC	-G	12.0	-02 4.0 oz. (113)	09A = Off-White
03 DPST-NO	-H	14.0	-03 6.0 oz. (170)	09BL=Ill. White
04 DPST-NC	-B	28.0	-04 15.0 oz. (425)	10=Black
05 SPDT-BM				11=Red/Orange
06 DPST-NO-NC				11BL=Ill. Fire Engine Red
				11C=Brick Red/Brown
				12=Dark Green
				12BL=Ill. Green
				13=Dark Blue
				13A=Med. Blue
				13BL=Ill. Light Blue
				13CL=Ill. Dark Blue
				14=Dark Grey
				14A=Med. Grey
				14B=Light Grey
				17=Yellow/Gold
				17AL=Ill. Canary Yellow

NOTE:

1. XX.X Designates Lamp Socket with No Bulb
00.0 No Bulb, No Socket
2. Refer to Keycap Spec. Sheet for measurements.
3. Numbers which include "L" must be used for illuminated switches.
4. ** Not recommended for illumination.
5. Measurements printed in parenthesis are metric.

GEORGE RISK INDUSTRIES, INC.
802 S. Elm St.
KIMBALL, NE 69145



Made in U.S.A.

WWW.GRISK.COM

TOLL-FREE 1-800-445-5218
TOLL-FREE 1-800-523-1227
(308) 235-4645
FAX (308) 235-2609
E-MAIL: sharonw@grisk.com