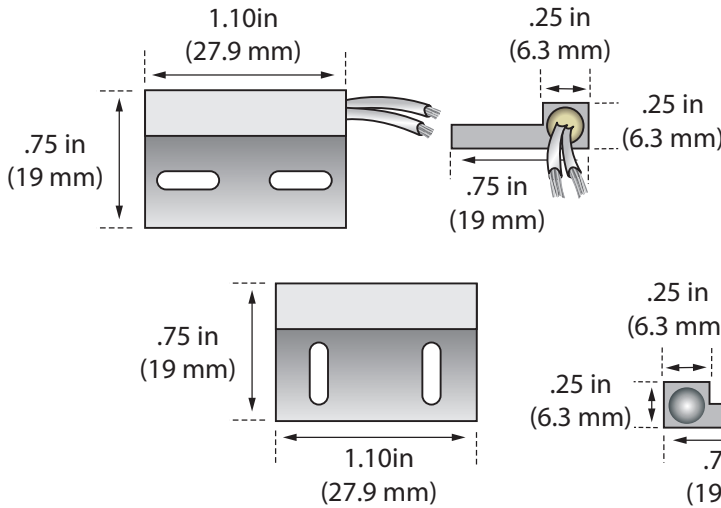
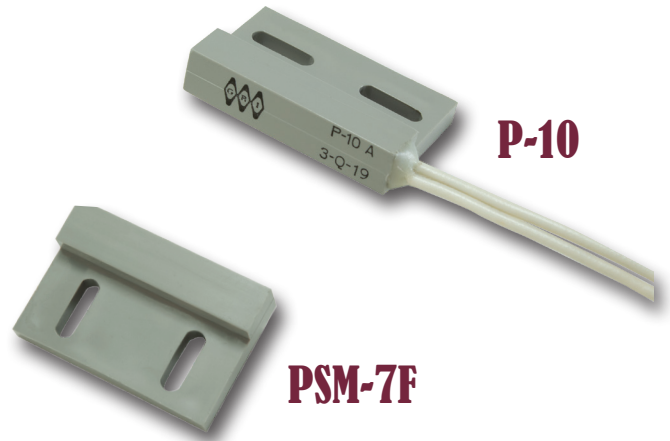




P-10 PROXIMITY SENSOR

- ◇ Miniature sensor
- ◇ Low profile
- ◇ Horizontal and vertical mounting slots
- ◇ Hi-Rel for switching low level loads
- ◇ Custom requirements on request



GRI PRODUCTS MEET OR EXCEED THESE MINIMUM GENERAL SPECIFICATIONS:

| PART NUMBER | CONTACT FORM | MAX. WATT CONTACT RATING | SWITCHING VDC MAXIMUM | BREAKDOWN VDC MINIMUM | CURRENT MAXIMUM AMPS | INITIAL CONTACT RESISTANCE Ω | TYPICAL OPERATING TIME (ms) | Shock (G) | CASE COLOR G (grey), W (white) B (brown) |
|-------------|--------------|--------------------------|-----------------------|-----------------------|----------------------|-------------------------------------|-----------------------------|-----------|--|
| P-10A | A | 10 | 100 | 200 | .3 | .2 | .4 | 30 | G |
| P-10B | B | 3 | 30 | 200 | .2 | .2 | 1.0 | 30 | G |
| P-10C | C | 3 | 30 | 200 | .2 | .2 | 1.0 | 30 | G |

UNIVERSAL SPECIFICATIONS FOR ALL GRI PROXIMITY & VANE SENSORS

LOAD / LIFE CHARACTERISTICS (operations): 50 million at 5 VDC, 10mA, 40 million at 24VDC, 100 mA
 CASES: ABS Plastic LEADS: 12 inch, 22 AWG in white (custom length available) ACTUATORS: Alnico V Magnets
 OPERATING TEMPERATURE RANGE: -40 to 85 Celsius

GEORGE RISK INDUSTRIES, INC.
 802 S. Elm St.
 KIMBALL, NE 69145



WWW.GRISK.COM

TOLL-FREE 1-800-445-5218
TOLL-FREE 1-800-523-1227
(308) 235-4645
FAX (308) 235-2609
E-MAIL: sharonw@grisk.com