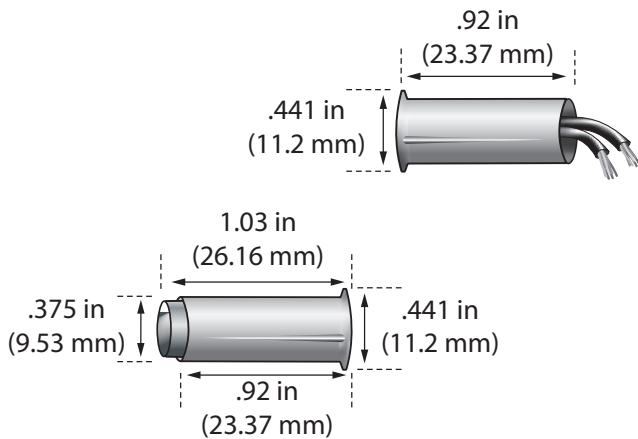




PS-2020 PROXIMITY SENSOR

- ◇ Miniature sensor
- ◇ Low profile
- ◇ Horizontal and vertical mounting slots
- ◇ Hi-Rel for switching low level loads
- ◇ Custom requirements on request



GRI PRODUCTS MEET OR EXCEED THESE MINIMUM GENERAL SPECIFICATIONS:

PART NUMBER	CONTACT FORM	MAX. WATT CONTACT RATING	SWITCHING VDC MAXIMUM	BREAKDOWN VDC MINIMUM	CURRENT MAXIMUM AMPS	INITIAL CONTACT RESISTANCE Ω	TYPICAL OPERATING TIME (ms)	Shock (G)	CASE COLOR G (grey), W (white) B (brown)
PS-2020	A	10	100	200	.3	.2	.4	30	G, W, B
PS-3030	B	3	30	200	.2	.2	1.0	30	G, W, B
PS-4040	C	3	30	200	.2	.2	1.0	30	G, W, B

UNIVERSAL SPECIFICATIONS FOR ALL GRI PROXIMITY & VANE SENSORS

LOAD / LIFE CHARACTERISTICS (operations): 50 million at 5 VDC, 10mA, 40 million at 24VDC, 100 mA
 CASES: ABS Plastic LEADS: 12 inch, 22 AWG in white (custom length available) ACTUATORS: Alnico V Magnets
 OPERATING TEMPERATURE RANGE: -40 to 85 Celsius

GEORGE RISK INDUSTRIES, INC.
 802 S. Elm St.
 KIMBALL, NE 69145



WWW.GRISK.COM

TOLL-FREE 1-800-445-5218
TOLL-FREE 1-800-523-1227
(308) 235-4645
FAX (308) 235-2609
E-MAIL: sharonw@grisk.com