
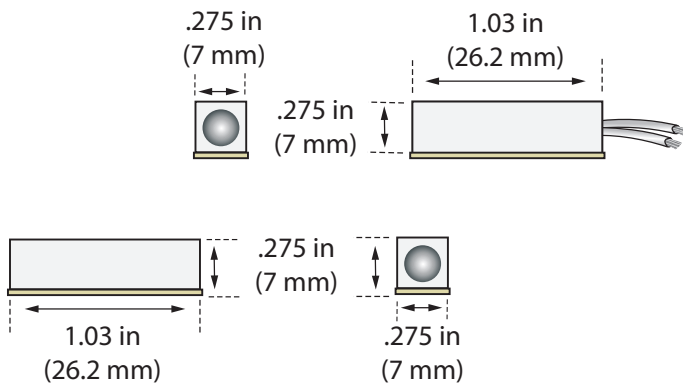
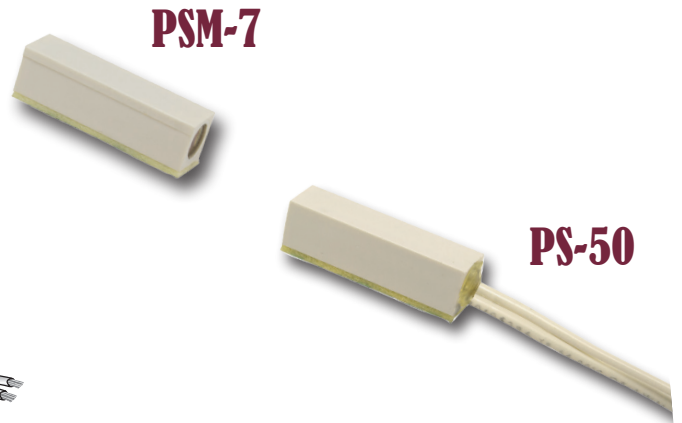




# PS-50 PROXIMITY SENSOR

- ◇ Miniature surface sensor
- ◇ Adhesive mount
- ◇ Low profile 
- ◇ Hermetically sealed reed switch
- ◇ Hi-Rel for switching low level loads
- ◇ Custom requirements on request



## GRI PRODUCTS MEET OR EXCEED THESE MINIMUM GENERAL SPECIFICATIONS:

PART NUMBER	CONTACT FORM	MAX. WATT CONTACT RATING	SWITCHING VDC MAXIMUM	BREAKDOWN VDC MINIMUM	CURRENT MAXIMUM AMPS	INITIAL CONTACT RESISTANCE $\Omega$	TYPICAL OPERATING TIME (ms)	Shock (G)	CASE COLOR G (grey), W (white) B (brown)
P-50	A	10	100	200	.3	.2	.4	30	G
P-60	B	3	30	200	.2	.2	1.0	30	G
P-70	C	3	30	200	.2	.2	1.0	30	G

### UNIVERSAL SPECIFICATIONS FOR ALL GRI PROXIMITY & VANE SENSORS

LOAD / LIFE CHARACTERISTICS (operations): 50 million at 5 VDC, 10mA, 40 million at 24VDC, 100 mA  
 CASES: ABS Plastic      LEADS: 12 inch, 22 AWG in white (custom length available)      ACTUATORS: Alnico V Magnets  
 OPERATING TEMPERATURE RANGE: -40 to 85 Celsius

**GEORGE RISK INDUSTRIES, INC.**  
 802 S. Elm St.  
 KIMBALL, NE 69145



[WWW.GRISK.COM](http://WWW.GRISK.COM)

**TOLL-FREE 1-800-445-5218**  
**TOLL-FREE 1-800-523-1227**  
**(308) 235-4645**  
**FAX (308) 235-2609**  
**E-MAIL: [sharonw@grisk.com](mailto:sharonw@grisk.com)**