

Gate Mount Pool Alarm

WWW.GRISK.COM



GT10

- ◆ Closed Loop
- ◆ Microprocessor controlled
- ◆ Weather resistant for outdoor use
- ◆ Instant on or 7 sec. delay models available
- ◆ Low Battery Indicator
- ◆ Closed Loop 410P switch set with 5 ft. 2 conductor cable



The GRI Gate Mount Pool Alarm was designed as an aid for prevention of an unattended access to a pool/spa area by a small child. Monitoring all gates with Closed Loop magnetic reed switches, the Gate Mount Pool Alarm will sound an alarm should anyone too small to manage the

adult pass through feature attempt access to the pool/spa area. For maximum protection all movable openings should be protected in such a manner by the GRI Gate Mount Pool Alarm.

The GT10-2 and GT10-4 can be operated independently with an on-board 9 volt battery or with a 12 volt externally supplied DC power source. Both power sources have been designed to maintain a maximum sound pressure level of 85db at 10'. Estimated battery life is approximately 180 days based on no alarm soundings during that time lapse. Should the battery voltage drop below 7 volts, a low battery mode will be initiated and the unit will sound 3 beeps approximately every 30 minutes for one to two weeks prior to total battery failure. Battery must be replaced at this time, and the cause of the power failure determined and restored.

NOTE: Unit will function at a minimum 5VDC at a very limited sounder volume. This power level is considered total battery failure.

CLEANING: Periodic cleaning of sounder and box are required to maintain sound level.

CAUTION: To prevent a memory failure or circuit damage, external power source not to exceed 15VDC.

WARNING: Environmental conditions, such as wind, may affect the sound level.

WARNING: THIS IS NOT A LIFE SAVING DEVICE.

Part Numbers

GT10-2	Gate Mount Pool Alarm - 7 Second Delay - Closed Loop
GT10-4	Gate Mount Pool Alarm - Instant On - Closed Loop

WARRANTY: One year limited warranty against workmanship, material and factory defects.

GEORGE RISK INDUSTRIES, INC.
G.R.I. PLAZA
KIMBALL, NE 69145

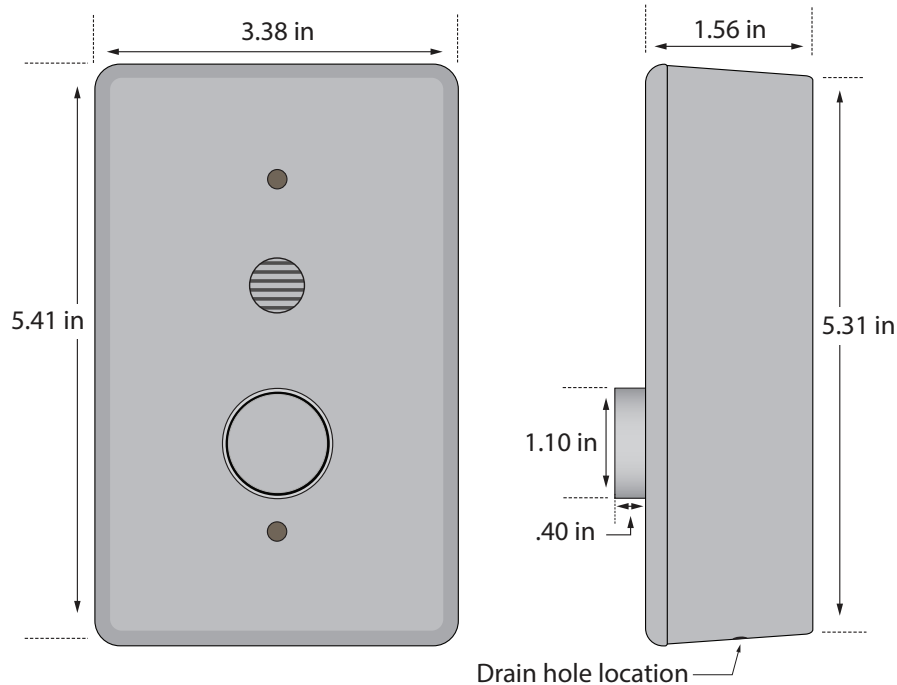
WWW.GRISK.COM



1-800-445-5218
1-800-523-1227
(308) 235-4645
FAX (308) 235-3561
E-MAIL: sales@grisk.com

Gate Mount Pool Access Alarm

WWW.GRISK.COM



INSTALLATION INSTRUCTIONS:

The GRI Gate Mount Pool Access Alarm mounts easily to the fence by any gate which allows access to the pool/spa area. Using a Closed Loop magnetic reed switch, the unit will detect and announce an open access by sounding a loud continuous alarm. Two timed options are offered: a maximum 7 second delay mode prior to sounding upon gate opening, or an instant alarm sounding upon activation. Both versions incorporate a built-in pass through feature shunt button to allow adult access without alarm sounding. Although the Gate Mount Pool Access Alarm cannot be turned off, this feature will simply deactivate the alarm function for a maximum of 15 seconds. During this time span the adult must exit and close the gate before the alarm sounds. Once the alarm is sounding it cannot be silenced by simply closing the gate. The shunt button must also be depressed. The sounder cannot be disabled by holding down the shunt button.

WARRANTY: One year limited warranty against workmanship, material and factory defects.

GEORGE RISK INDUSTRIES, INC.
G.R.I. PLAZA
KIMBALL, NE 69145

WWW.GRISK.COM



236

1-800-445-5218
1-800-523-1227
(308) 235-4645
FAX (308) 235-3561
E-MAIL: sales@grisk.com