


Door Channel Magnet with 3/4" & 1" Recessed Switch

WWW.GRISK.COM

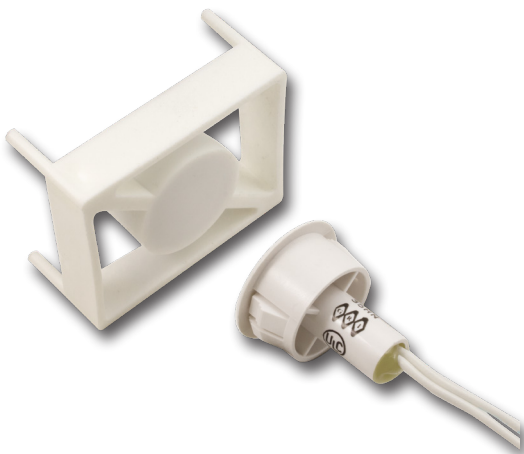



MC-180 Series

- ◆ The MC-180 is designed to be mounted in top channel of a metal door
- ◆ Legs of the magnet case can be clipped to accommodate a more shallow channel
 - ◆  Indicates U.L. 10C Fire Rated



MC-180 





 MC-180 shown with 180MC-12



MC-180 shown with 8080-TMC

Part Numbers

Standard Gap		Closed Loop	Open Loop	SPDT	DPDT
up to 1" on steel	3/4" Dia.	180MC-12 ← 	185MC-12	190MC-12	195MC-12
	1" Dia.	184MC-12 ← 	189MC-12	194MC-12	199MC-12
	3/4 Dia.	8080-TMC	8585-TMC		
	1" Dia.	8484-TMC	8989-TMC		

GEORGE RISK INDUSTRIES, INC.
G.R.I. PLAZA
KIMBALL, NE 69145

WWW.GRISK.COM



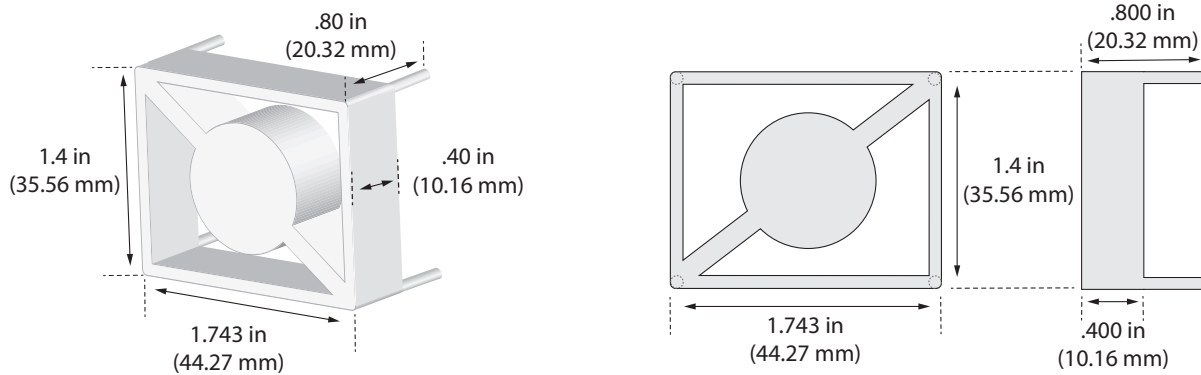
1-800-445-5218
1-800-523-1227
(308) 235-4645
FAX (308) 235-3561
E-MAIL: sales@grisk.com

Door Channel Magnet with 3/4" & 1" Recessed Switch

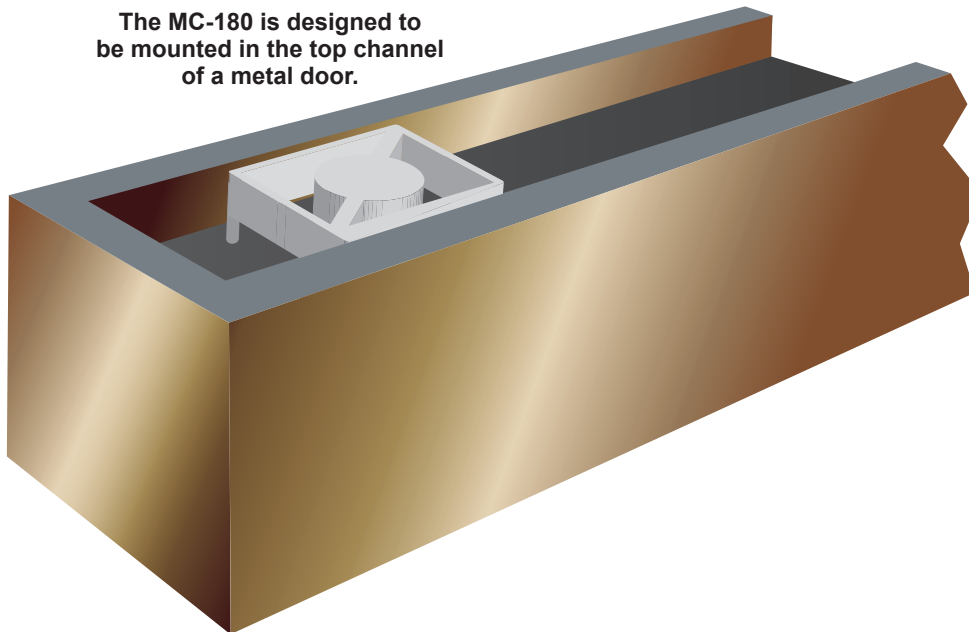


WWW.GRISK.COM

MC-180



The MC-180 is designed to be mounted in the top channel of a metal door.



WARRANTY: Lifetime warranty against workmanship, material and factory defects.

GEORGE RISK INDUSTRIES, INC.
G.R.I. PLAZA
KIMBALL, NE 69145

WWW.GRISK.COM



1-800-445-5218
1-800-523-1227
(308) 235-4645
FAX (308) 235-3561
E-MAIL: sales@grisk.com